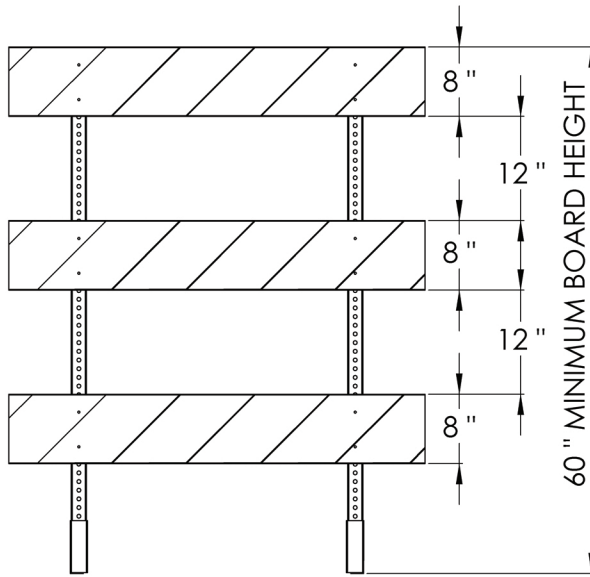


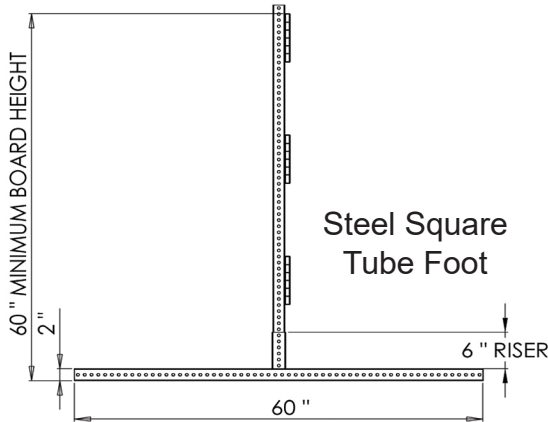


Steel Square Tube Type III Barricade

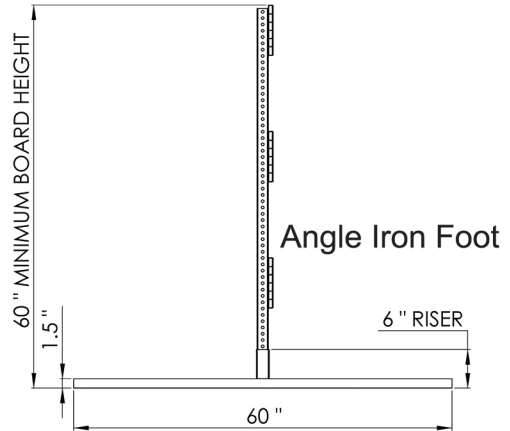


Steel Square Tube - galvanized steel, 14 gauge
Steel Square Tube Upright - 1.75" x 1.75" x 63"
Steel Square Tube Foot - 2" x 2" x 60"
Punched holes - 7/16"

Angle Iron - galvanized steel, 10 gauge
1.5" x 1.5" x 60"



Steel Square
Tube Foot



Angle Iron Foot