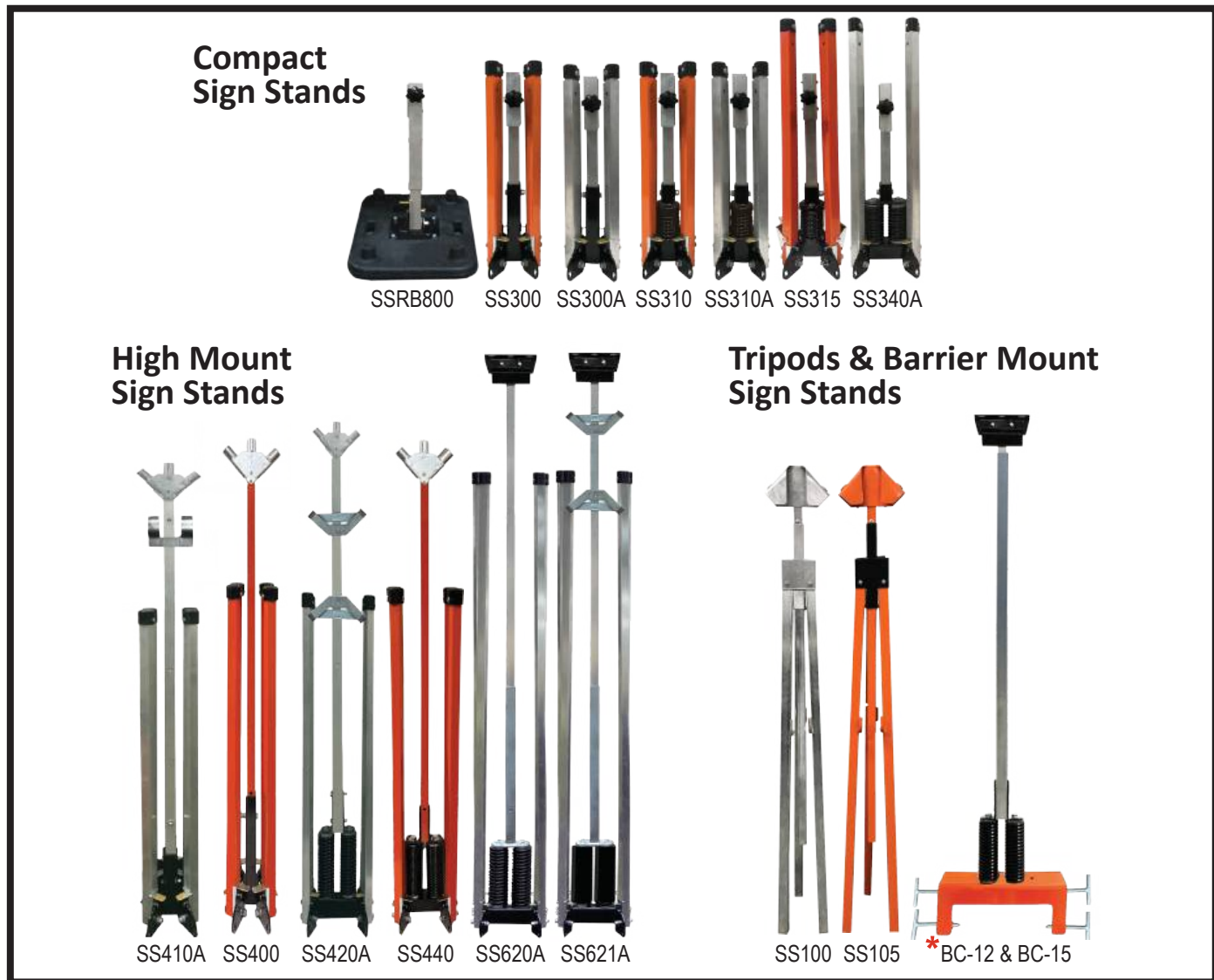




**Plasticade.com**  
Increase your visibility.



### Sign Stand Index & Quick Guide

Model #	SSRB800	SS300	SS300A	SS310	SS310A	SS315	SS340A	SS400	SS410A	SS420A	SS440	SS620A	SS621A	SS100	SS105	BC-12 & BC-15
Roll-Up Sign	Yes	Yes	Yes	Yes	Yes	Yes	Yes	Yes	Yes	No	Yes	Yes	No	No	No	Yes
Rigid Sign	No	No	No	No	No	No	No	No	No	Yes .080 Alum.	Yes .080 Alum.	Yes 10 mm Cor.	Yes .080 Alum.	Yes 5/8" ply	Yes 5/8" ply	Yes
Sign Height from Ground to Bottom of Sign	13"	13"	13"	13"	13"	13"	16"	60"	60"	18"	Rigid 18" Roll-Up 60"	Rigid 60" & 84" Roll-Up 84"	84"	14"	14"	N/A
Main Material	Rubber	Powder Coated Steel	Alum.	Powder Coated Steel	Alum.	Powder Coated Steel	Alum.	Powder Coated Steel	Alum.	Alum.	Powder Coated Steel	Alum.	Alum.	Galv. Steel	Powder Coated Steel	Powder Coated Steel Clamp
More Info.	Page 5	Page 3	Page 3	Page 3	Page 3	Page 4	Page 4	Page 6	Page 6	Page 7	Page 7	Page 8	Page 9	Page 5	Page 5	Page 10

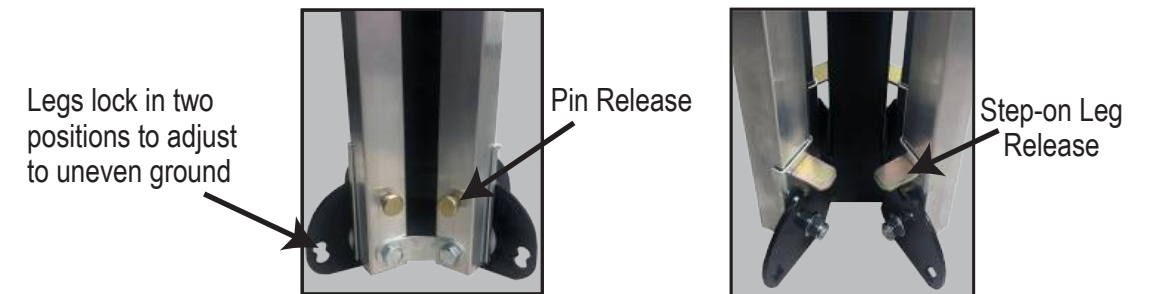
\* BC-12 & BC-15 not MASH Tested



Roll-Up Sign Information on Page 13



### LEG RELEASE SYSTEM



### HEAVY DUTY SPRINGS

- Automotive grade springs
- designed to perform in extreme weather conditions without fatiguing or breaking
- E-coated for maximum rust and corrosion resistance
- Zinc plated nuts and bolts



### SIGN HOLDERS

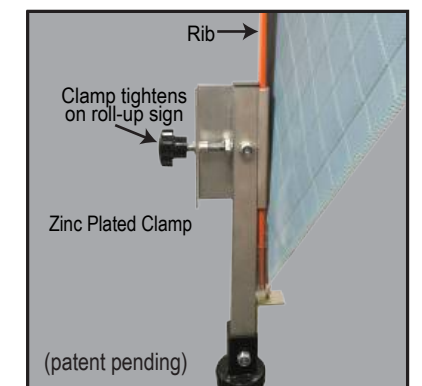
(more on page 11)



Brackets for Roll-Up Signs



Brackets for Rigid Signs

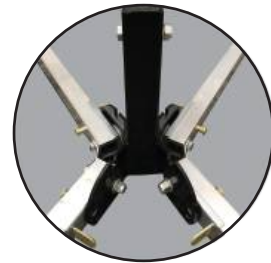


Compact Stands Universal Sign Clamp for Roll-Up Signs page 2



## COMPACT SPRINGLESS SIGN STANDS

- Holds roll-up signs 36" & 48"
  - universal compact sign clamp, zinc plated steel, grabs and tightens on roll-up rib
- Legs are extendable
- Non-skid rubber feet
- Replacement parts and assemblies available
- MASH Accepted for 48" roll-up signs, WZ-351
- Meets MUTCD Standards



No Spring



Model #	Leg Material	Sign Mounting Height	Carton Size	Size Open Legs Collapsed Footprint	Size Open Legs Fully Extended Footprint	Weight	Sign Bracket
SS300	Orange Powder Coated Steel	13" from Ground Top of 48" sign - 82"H max.	7" x 7.5" x 25"	28" x 44"	40" x 65"	21 lbs.	Universal Roll-Up Sign Clamp Included Part # SA-URSHV4
SS300A	Aluminum					16 lbs.	

## COMPACT SINGLE SPRING SIGN STANDS

- Holds roll-up signs 36" & 48"
  - universal compact sign clamp, zinc plated steel, grabs and tightens on roll-up rib
- Heavy duty steel spring
- Legs are extendable
- Non-skid rubber feet
- Replacement parts and assemblies available
- MASH Accepted
  - SS310 for 48" roll-up signs, WZ-352
  - SS310A for 48" roll-up signs, WZ-429
- Meets MUTCD Standards

Heavy Duty Single Spring



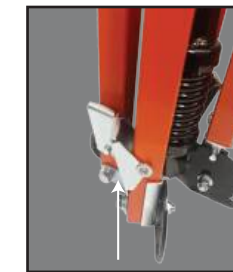
Model #	Leg Material	Sign Mounting Height	Carton Size	Size Open Legs Collapsed Footprint	Size Open Legs Fully Extended Footprint	Weight	Sign Bracket
SS310	Orange Powder Coated Steel	13" from Ground Top of 48" sign - 82"H max.	7" x 7.5" x 25"	28" x 44"	40" x 65"	23 lbs.	Universal Roll-Up Sign Clamp Included Part # SA-URSHV4
SS310A	Aluminum					18 lbs.	

## LONG LEG COMPACT SINGLE SPRING SIGN STAND FOR ROLL-UP SIGNS

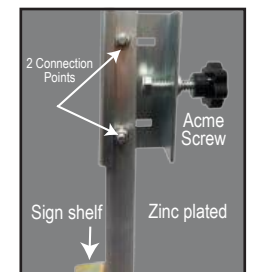
Model SS315

- Holds roll-up signs 36" & 48"
- Longer legs increase stability
  - legs are extendable to 87"
- Paddle release levers for quick and easy setup
- New Universal Sign Clamp
  - stable clamp design for faster sign installation
  - Acme screw handle locks sign in place twice as fast
- Automotive grade steel spring
  - designed to perform in extreme weather conditions without fatiguing or breaking
  - E-coated for maximum rust and corrosion resistance
- Non-skid rubber feet
- Replacement parts and assemblies available
- Crash tested for MASH Acceptance, submitted to FHWA
  - 48" roll-up sign at 13" from ground
- Meets MUTCD Standards

Heavy Duty Single Spring



Paddle Release Levers



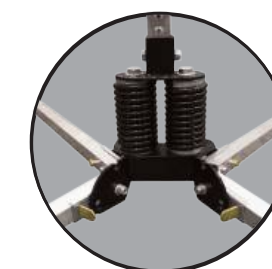
Clamp stays securely open for sign insertion - locks sign in place twice as fast

Model #	Material	Sign Mounting Height	Carton Size	Size Open Legs Collapsed Footprint	Size Open Legs Fully Extended Footprint	Weight	Sign Bracket
SS315	Orange Powder Coated Steel	13" from Ground Top of 48" sign - 81"H max.	7.25" x 8.5" x 32.5"	38" x 55"	54" x 87"	27 lbs.	Universal Roll-Up Sign Clamp Included Part # SA-URSHV5

## COMPACT DOUBLE SPRING SIGN STAND

Model SS340A

- Holds roll-up signs 36" & 48"
  - universal compact sign clamp, zinc plated steel, grabs and tightens on roll-up rib
- Heavy duty, steel double spring
- Legs are extendable
- Non-skid rubber feet
- Replacement parts and assemblies available
- MASH Accepted for 48" roll-up signs, WZ-353
- Meets MUTCD Standards



Heavy Duty Double Spring

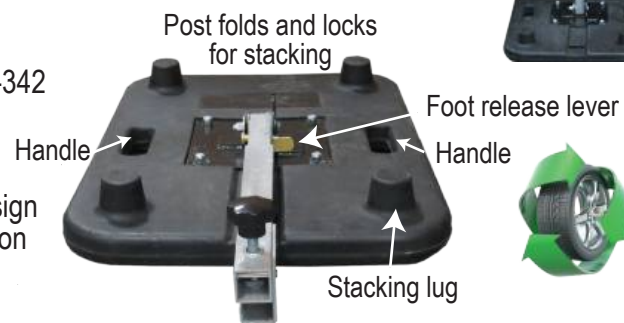


Model #	Material	Sign Mounting Height	Carton Size	Size Open Legs Collapsed Footprint	Size Open Legs Fully Extended Footprint	Weight	Sign Bracket
SS340A	Aluminum	16" from Ground Top of 48" sign - 82"H max.	7.25" x 8.5" x 32.5"	38" x 55"	54" x 87"	27 lbs.	Universal Roll-Up Sign Clamp Included Part # SA-URSHV4

## INTREPID™ RUBBER BASE SIGN STAND FOR ROLL-UP SIGNS

- Holds roll-up signs 36" & 48"
  - universal compact sign clamp, zinc plated steel, grabs and tightens on roll-up rib
- Designed for quick, easy sign relocation
  - clamp portion of post can be separated with sign attached
  - two carry handles
- Low profile and compact
  - great for narrow spaces, such as, bridge decks and sidewalks
- Heavy base stays in place
  - no need for additional ballast
- Post folds flat and locks for easy transport, storage, & stacking
  - foot release lever to initiate fold down
  - multiple stacking lugs on rubber base
- MASH Accepted for 48" roll-up signs, WZ-342
- Meets MUTCD Standards

Model SSRB800



Sign clamp can be removed with sign attached for quick sign relocation

Model #	Material	Sign Mounting Height	Size Folded	Size Deployed	Weight	Sign Bracket
SSRB800	Rubber Base Steel Base Plate Aluminum Post	13" from Ground Top of 48" sign - 81"H max.	19"W x 31"D x 7"H	19"W x 26"D x 21.5"H	44 lbs.	Universal Roll-Up Sign Clamp Included Part # SA-USH

## TRIPOD SIGN STANDS

- Heavy duty stand for rigid signs, 36" & 48"
  - also holds roll-up signs (with a roll-up bracket)
- Extendable mast
- Fixed length legs
- Added safety feature eliminates pinch points
- Built-in three flag holder & sandbag hook
- MASH Accepted for 48"- 5/8" plywood signs, WZ-350
- Meets MUTCD Standards

Model SS100



Model SS105



### Sign Brackets For Roll-Up Signs (sold separately)



Universal Bracket for Roll-Up Signs  
Zinc Plated  
Part # SH-RSMC-SM



Fast Bracket for Roll-Up Signs  
Zinc Plated  
Part # SH-RMQR-SM

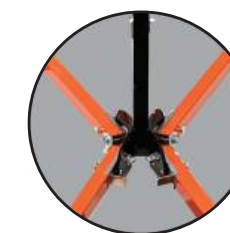
Model #	Material	Sign Mounting Height	Carton Size	Size Open Legs Collapsed Footprint	Size Open Legs Fully Extended Footprint	Weight	Brackets
SS100	Galvanized Steel	14" from Ground	4" x 7.5" x 51.5"	Legs don't collapse	30" x 49"	16 lbs.	Built in Rigid Sign Bracket
SS105	Orange Powder Coated Steel	Top of 48" sign - 81"H max.					

## MEDIUM HEIGHT STEEL SPRINGLESS SIGN STAND FOR ROLL-UP SIGNS

### Lightweight, Durable, & Economical Steel Sign Stand

- Holds roll-up signs 36" & 48"
  - accommodates 36" and 48" rigid signs
- Orange powder coated steel legs and mast, 26 lbs.
- Telescoping mast
- Fixed length legs
- Non-skid rubber feet
- Built-in three flag holder
- Small footprint enables more stands per truck
- Replacement parts and assemblies available
- Crash tested for MASH Acceptance, 48" roll-up sign at 60"
  - submitted to the FHWA
- Meets MUTCD Standards

Model SS400



No Spring



Universal Bracket for Roll-Up Signs  
Zinc Plated  
Part # SH-RSMC-SM



Fast Bracket for Roll-Up Signs  
Zinc Plated  
Part # SH-RMQR-SM



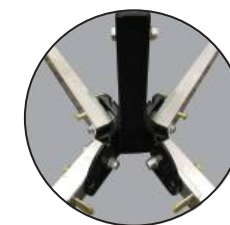
Rigid Sign Bracket  
Zinc Plated  
Part # SH-HSHL-SM  
Patent Pending

Model #	Mast & Leg Material	Sign Mounting Height	Size Open Extended Footprint	Weight	Available Sign Brackets Purchase Separately		
SS400	Powder Coated Steel	60" from Ground Max. Height of Sign - 128"	40" x 84.5"	26 lbs.	Universal Roll-Up Sign Bracket #SH-RSMC-SM	Fast Bracket for Roll-Up Signs #SH-RMQR-SM	Rigid Sign Bracket #SH-HSHL-SM

## MEDIUM HEIGHT ALUMINUM SPRINGLESS SIGN STAND FOR ROLL-UP SIGNS

- Holds roll-up signs 36" & 48"
  - also holds rigid signs (with a roll-up bracket)
- Telescoping mast
- Fixed length legs
- Non-skid rubber feet
- Built-in three flag holder
- Replacement parts and assemblies available
- MASH Accepted for 48" roll-up signs, WZ-354
- Meets MUTCD Standards

Model SS410A



No Spring



Universal Bracket for Roll-Up Signs



Zinc Plated

Model #	Mast & Leg Material	Sign Mounting Height	Carton Size	Size Open Legs Collapsed Footprint	Size Open Legs Fully Extended Footprint	Weight	Sign Bracket
SS410A	Aluminum	60" from Ground Max. Height of Sign - 128"	7" x 7.5" x 58.5"	Legs don't collapse	47" x 74"	19 lbs.	Universal Roll-Up Sign Bracket Included #SH-RSMC



## HEAVY DUTY ALUMINUM DOUBLE SPRING SIGN STAND FOR RIGID SIGNS

- Holds rigid signs 36" & 48"
- Telescoping mast
- Heavy duty, double steel springs
- Fixed length legs, lock in multiple positions
- Non-skid rubber feet
- Built-in three flag holder
- Replacement parts and assemblies available
- MASH Accepted for 48"-.080 aluminum signs, WZ-355
- Meets MUTCD Standards



Heavy Duty Double Spring



Bracket for Rigid Sign  
(U.S. Patent 10,546,515)  
Zinc Plated

Brackets for top and bottom of the sign have different clamp sizes to fit around telescoping mast.

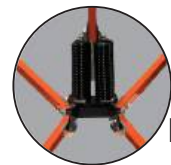


Model SS420A

Model #	Mast & Leg Material	Sign Mounting Height	Carton Size	Size Open Legs Collapsed Footprint	Size Open Legs Fully Extended Footprint	Weight	Sign Brackets
SS420A	Aluminum	18" from Ground Top of 48" sign - 86"H max.	8.5" x 11.5" x 58.5"	Legs don't collapse	38" x 81"	36 lbs.	Rigid Brackets Included Bottom: #SH-HSHL Top: #SH-HSHL-08

## HEAVY DUTY STEEL DOUBLE SPRING SIGN STAND

- Holds rigid and roll-up signs 36" & 48"
- Orange powder coated steel legs and mast, 39 lbs.
- Automotive grade steel, double spring
  - designed to perform in extreme weather conditions
  - E-coated for maximum rust and corrosion resistance
- Telescoping mast with fixed length legs
  - lock in multiple positions to adjust to uneven ground
- Non-skid rubber feet
- Built-in three flag holder
- Small footprint enables more stands per truck
- Replacement parts and assemblies available
- Crash tested for MASH Acceptance
  - WZ-460, 48" roll-up sign at 60"
  - 48" .080 aluminum sign at 18" submitted to the FHWA
- Meets MUTCD Standards



Heavy Duty Double Spring



Model SS440



Universal Bracket for Roll-Up Signs  
Zinc Plated  
Part # SH-RSMC-SM



Fast Bracket for Roll-Up Signs  
Zinc Plated  
Part # SH-RMQR-SM



Rigid Sign Bracket  
Zinc Plated  
Part # SH-HSHL-SM  
Patent Pending

Model #	Mast & Leg Material	Sign Mounting Height	Size Open Legs Fully Extended Footprint	Weight	Available Sign Brackets Purchase Separately		
SS440	Powder Coated Steel	Roll-Up Sign: 60" from Ground Max. Height of Sign - 128" .080 Aluminum Sign: 18" from Ground Max. Height of Sign - 86"	40" x 84.5"	39 lbs.	Universal Roll-Up Sign Bracket #SH-RSMC-SM	Fast Bracket for Roll-Up Signs #SH-RMQR-SM	Rigid Sign Bracket #SH-HSHL-SM

## TALL DOUBLE SPRING SIGN STAND FOR CORRUGATED PLASTIC & ROLL-UP SIGNS

- Holds rigid and roll-up signs 36" & 48"
- Telescoping mast
- Heavy duty, steel double spring
- Non-skid rubber feet
- Built-in heavy duty three flag holder
  - clamping type, holds flags in place
- Replacement parts and assemblies available
- MASH Accepted for 48" 10 mm corrugated plastic signs
  - mount rigid signs at 60" from ground, WZ-424 or 84" from the ground, WZ-425
- MASH Accepted for 48" roll-up signs
  - mount roll-up signs 84" from the ground, WZ-426
- Meets MUTCD Standards



Rigid Sign Bracket



Roll-Up Sign Bracket

Zinc Plated Universal Brackets  
Rigid Brackets: Top: SH-HSHL-96, Bottom: SH-HSL-95  
Roll-Up Bracket: SH-RSMC



Heavy Duty Double Spring

Model #	Mast & Leg Material	Sign Mounting Height	Carton Size	Legs Collapsed Footprint	Size Open Legs Fully Extended Footprint	Weight	Sign Brackets
SS620A	Aluminum	10 mm Corrugated Sign 60" from Ground Max. Height of Sign - 128"	9" x 12" x 72"	Legs don't collapse	56.44" x 130.6"	56 lbs.	No Brackets
SS620A-RG		10 mm Corrugated Sign 84" from Ground Max. Height of Sign - 152"				59.3 lbs.	Includes Rigid Brackets SH-HSL-95 (top) SH-HSHL-96 (bottom)
SS620A-RL		48" Roll-Up Sign 84" from Ground Max. Height of Sign - 152"				57 lbs.	Includes Roll-Up Sign Universal Bracket SH-RSMC
SS620A-FB						57 lbs.	Includes Fast Bracket for Roll-Up Signs SH-RMQR

## TALL DOUBLE SPRING SIGN STAND FOR ALUMINUM SIGNS

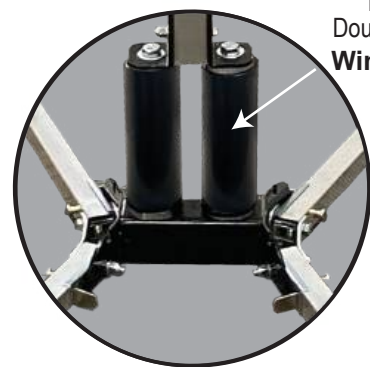
Model SS621A

Mount Aluminum Signs  
84" Above Ground!

- Holds rigid signs 36" & 48"
- Wind Sleeves™ increase stand stability with aluminum signs - patent pending
- Telescoping mast
- Heavy duty, steel double spring
- Non-skid rubber feet
- Built-in heavy duty three flag holder - clamping type, holds flags in place
- Replacement parts and assemblies available
- MASH Accepted for 48" - .080 aluminum signs, WZ-427 - mount rigid signs at 84" from the ground
- Meets MUTCD Standards



Bracket for Rigid Signs  
Zinc Plated  
(U.S. Patent 10,546,515)



Heavy Duty  
Double Spring with  
Wind Sleeves™



Model #	Mast & Leg Material	Sign Mounting Height	Carton Size	Size Open Legs Collapsed Footprint	Size Open Legs Fully Extended Footprint	Weight	Sign Brackets
SS621A	Aluminum	.080 Aluminum Sign 84" from Ground Max. Height of Sign - 152"	9" x 12" x 72"	Legs don't collapse	56.44" x 130.6"	56 lbs.	Includes Rigid Brackets SH-HSL-95 (top) SH-HSHL-96 (bottom)

## BARRIER MOUNT SIGN SUPPORT FOR ROLL-UP & RIGID SIGNS

- Use on highways with limited median & shoulder space
- Holds roll-up and rigid signs 48" or smaller
- Two clamp sizes, 12" & 15"
  - 12" fits 5.5" to 11.5" wide concrete barriers
  - 15" fits 8.5" to 15" wide concrete barriers
  - orange powder coated steel
- T-bolts (4 ea.) secure the sign support to the barrier - zinc plated hardened steel for maximum strength and wear resistance
- Double spring telescoping mast
  - can be offset on clamp for narrow shoulders
  - springs made of automotive grade steel
  - designed to perform in extreme weather conditions without fatiguing or breaking
  - e-coated for maximum rust and corrosion resistance
- Built-in heavy duty three flag holder - clamping type, holds flags in place
- Replacement parts and assemblies available



Model BC-12



Model BC-15

Easy assembly of mast to clamp with provided hardware.

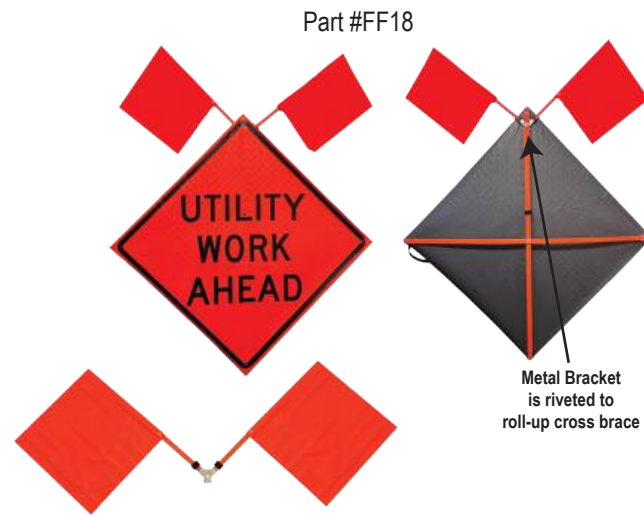


Model #	Material	Size	Carton Size Clamp and Bracket(s)	Carton Size Mast	Weight	Sign Brackets
BC-12-1PK	Steel Clamp & T-bolts Only	Fits 5.5" to 11.5" wide concrete Jersey barriers	7.25" x 13.5" x 23.5"	none	18.3 lbs.	None
BC-12-RG-KIT	Steel Clamp, T-bolts, & Aluminum Mast	Fits 5.5" to 11.5" wide concrete Jersey barriers	7.25" x 13.5" x 23.5"	4" x 8.25" x 63"	40.3 lbs.	Includes Rigid Brackets SH-HSL-95 (2 ea.)
BC-12-FB-KIT					37.8 lbs.	Includes Fast Bracket for Roll-Up Signs SH-RMQR
BC-15-1PK	Steel Clamp & T-bolts Only	Fits 8.5" to 15" wide concrete Jersey barriers	7.25" x 13.5" x 23.5"	none	20.8 lbs.	None
BC-15-RG-KIT	Steel Clamp, T-bolts, & Aluminum Mast	Fits 8.5" to 15" wide concrete Jersey barriers	7.25" x 13.5" x 23.5"	4" x 8.25" x 63"	42.9 lbs.	Includes Rigid Brackets SH-HSL-95 (2 ea.)
BC-15-FB-KIT					40.4 lbs.	Includes Fast Bracket for Roll-Up Signs SH-RMQR



## FOLDING FLAG ATTACHMENT

- Designed to permanently mount to roll-up sign
- 18" x 18" bright orange vinyl flags
- Riveted to roll-up cross brace through metal flag bracket
- ABS flag clips hold flags in open position
- Folds compactly for storage
- Fiberglass flag staffs, 14.4"L x 0.9"W x 0.11" thick



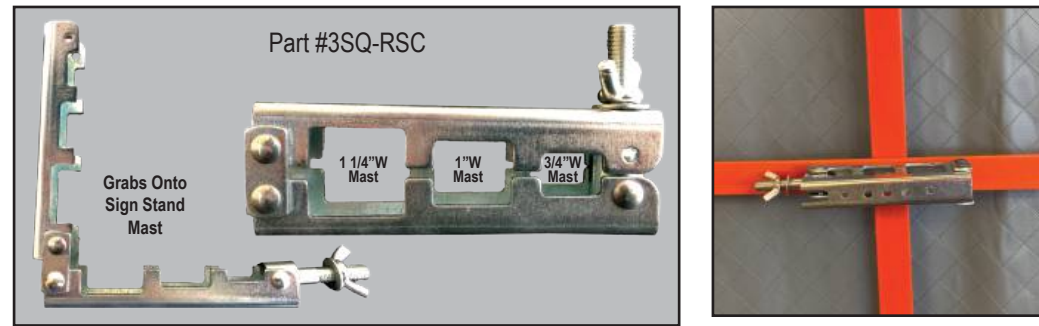
## QUICK GRIP™ CLAMP

Comes Attached to Roll-Up Cross Brace For Fast Sign Deployment

- 3 rivets used to attach to horizontal cross brace
- Fits sign stand masts 3/4", 1", and 1 1/4" square tube
- Zinc plated

### Use With:

SS100, SS105,  
SS400, SS410A,  
SS420A, SS440



## FAST BRACKET

- Quickly and securely attach roll-up signs to your sign stand
- Slide bracket onto mast and tighten using crank to keep in place
- Easy snap on design, pull back on handle to release
- Part #SH-RMQR-SM fits sign stand masts 3/4" to 1" (square tube)
- Part #SH-RMQR fits sign stand masts 1" to 1 1/2" (square tube)
- Zinc plated

### Use SH-RMQR-SM With:

SS100, SS105, SS400, SS440

### Use SH-RMQR With:

SS410A, SS420A,  
SS620A, SS621A  
BC-12-FB-KIT, BC-15-FB-KIT



## UNIVERSAL BRACKET FOR ROLL-UP SIGNS

- Part #SH-RSMC-SM fits sign stand masts 3/4" to 1" (square tube)
- Part #SH-RSMC fits sign stand masts 1" to 1 1/2" (square tube)
- Zinc plated

### Use SH-RSMC-SM With:

SS100, SS105, SS400, SS440

### Use SH-RSMC With:

SS410A, SS420A,  
SS620A, SS621A



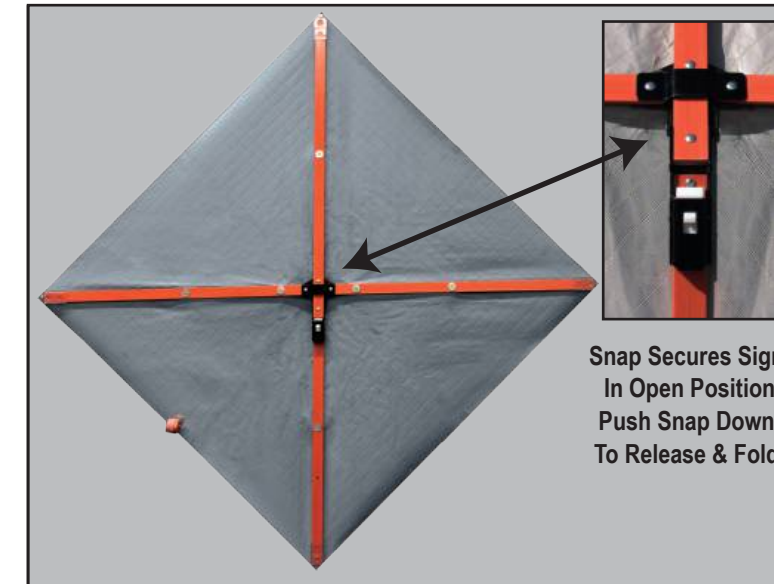
## SNAP N PACK™ ROLL-UP SIGN

Sign folds up easily and snaps open.  
Deploy in seconds on a compact sign stand.

- Wear Resistant Ink!
  - ink won't transfer to sign where it doesn't belong
- Roll-up Signs 36" & 48"
- Reflective in orange, yellow, and pink
- Non Reflective, orange
- Fiberglass Cross Braces
  - 3/8" Vertical Brace with 3/16" horizontal brace
- Durable Polycarbonate Corner Pockets
- Standard and Custom Legends Available

Perfect Product For  
First Responders!

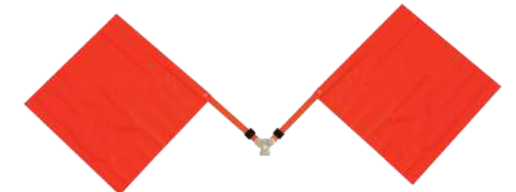
Sign Slides Onto  
Universal Roll-Up



- Use the Snap N Pack™ Roll-Up sign with our MASH Accepted Watchdog Compact Sign Stands
- Fits any stand with a universal roll-up sign bracket
  - Recommended Sign Stands
    - SS310A for 36" x 36" Signs
    - SS340A for 48" x 48" Signs



Carry Bags Available  
Holds Sign Stand with  
Snap N Pack Roll-Up Sign  
attached and ready to deploy



## Optional Folding Flag Attachment

- Riveted to vertical brace
- Folds up with the sign for storage





# HIGH QUALITY ROLL-UP SIGNS

## Produced with State of the Art Printing

### Wear Resistant Ink!

- Ink won't transfer to sign where it doesn't belong

### Breakthrough Digital Print & Film Technology

- Reflective color performance exceeds ASTM D 4956 Type VI requirements

### Standard & Custom Sign Sizes

### Fiberglass Cross Braces

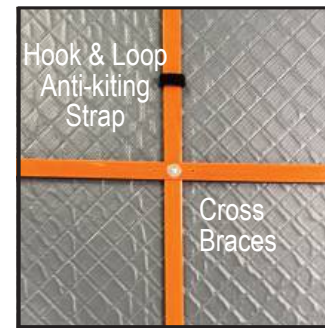
- Two thickness options
  - 1/4" Vertical Brace with 3/16" horizontal brace
  - 3/16" Vertical Brace with 3/16" horizontal brace
  - 5/16" Vertical Brace with 3/16" horizontal brace

### Anti-kiting Strap

- Sturdy hook & loop strap comes attached to sign
- Eliminates sail effect
  - backwind won't blow and move sign

### Corner Pocket Options

- Durable polycarbonate plastic
- Sewn reinforced vinyl



### Legend Identification

- Legend name printed on sign border on two edges
  - whichever way you roll it, it's easy to identify the sign legend

### Storage Strap

- Hook & Loop strap
  - secures the sign for storage

# ROLL-UP SHEETING OPTIONS

- MUTCD Non Reflective Vinyl
  - Fluorescent Orange
    - daytime use only, Meets ASTM D 4956 color
- Reflective Vinyl
  - 3M™ High Intensity Prismatic Grade, Vivid Orange Series RS30, Meets ASTM D 4956 Type VI, CWZ
- High Performance Marathon
  - Avery Dennison® WU-7000
    - Fluorescent Orange, Pink, and White, Meets ASTM D 4956 Type VI, Class 5



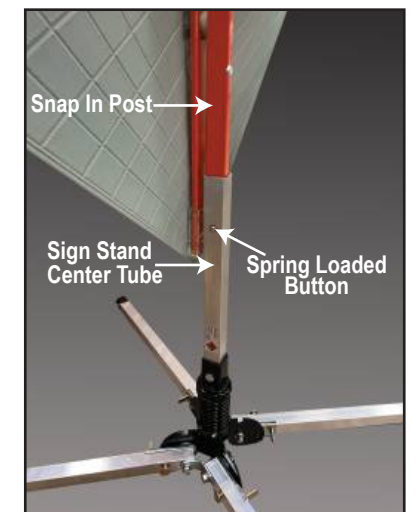
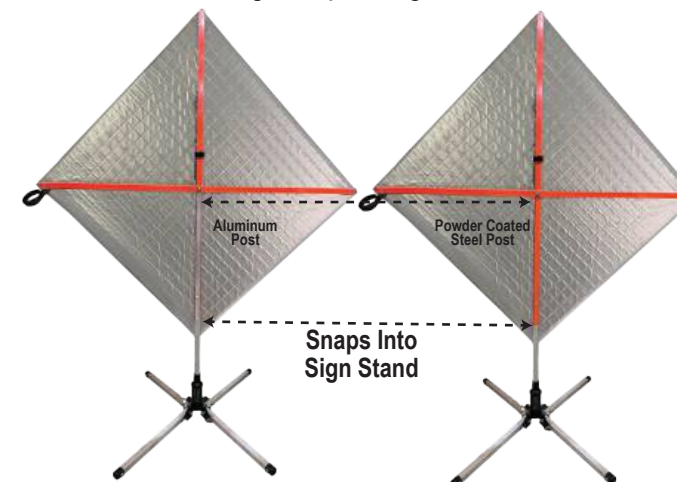
Breakthrough Digital Print & Film Technology exceeds ASTM D 4956 Type VI



# SNAP IN POST - ROLL-UP SIGN

Post is attached to roll-up sign and quickly snaps into center receptacle on a compact sign stand.

- Snap In Post comes connected to roll-up sign vertical brace
  - 1" square post (tube)
- Choose aluminum or orange powder coated steel post
- Available for 36" and 48" roll-up signs
- Post snaps into the center tube on compact sign stands
  - purchase compact stand without the universal bracket installed or remove universal bracket prior to insertion.
  - black cap on the stand's center tube must also be removed
- Spring loaded button securely locks the tube in place
- Use with our Watchdog Compact Sign Stands







Phone: (800) 772-0355

**Plasticade.com**



*Distributed By:*