

# LONG LEG COMPACT SINGLE SPRING SIGN STAND FOR ROLL-UP SIGNS



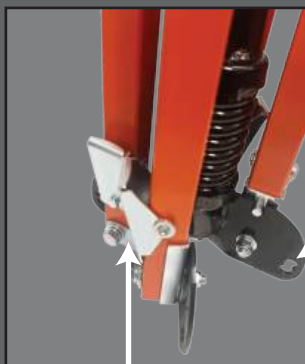
Model SS315

- Holds roll-up signs 36" & 48"
- Longer legs increase stability
  - legs are extendable to 87"
  - lock in multiple positions to adjust to uneven ground
- Paddle release levers for quick and easy setup
- New Universal Sign Clamp
  - stable clamp design for faster sign installation
  - Acme screw handle locks sign in place twice as fast
- Automotive grade steel spring
  - designed to perform in extreme weather conditions without fatiguing or breaking
  - E-coated for maximum rust and corrosion resistance
- Non-skid rubber feet
- Replacement parts and assemblies available
- Crash tested for MASH Acceptance, submitted to FHWA
  - 48" roll-up sign at 13" from ground
- Meets MUTCD Standards



Heavy Duty  
Single Spring

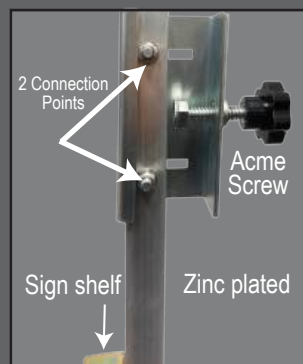
## LEG RELEASE SYSTEM



Paddle Release Levers

Legs lock in two positions to adjust to uneven ground

## NEW UNIVERSAL SIGN CLAMP



Clamp stays securely open for sign insertion  
- locks sign in place twice as fast

**PLASTICADE**®

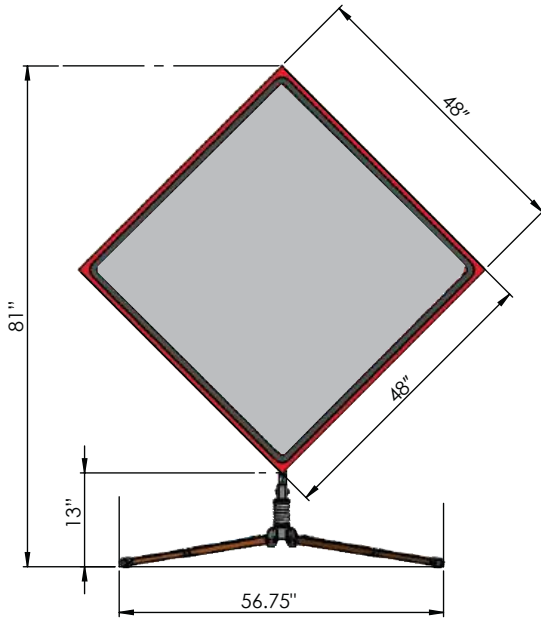
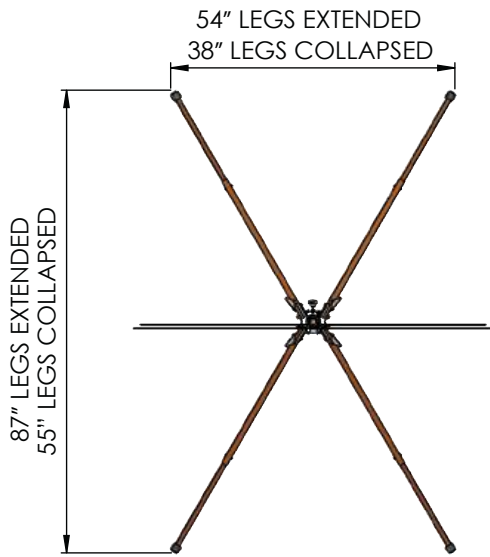
Plasticade.com

TF081

# WATCHDOG™ SS315

## Specs

Material	Steel - Orange Powder Coated
Sign Mounting Height	13" from ground
Top of 48" Sign	81" H maximum
Carton Size	7.25" x 8.5" x 32.5
Size Open legs collapsed footprint	38" x 55"
Size Open legs fully extended footprint	54" x 87"
Included Bracket	Universal Roll-Up Sign Clamp
Weight	27 lbs.



**PLASTICADE®**

100 Howard Avenue  
Des Plaines, IL 60018  
phone (800) 772-0355  
info@plasticade.com

[Plasticade.com](http://Plasticade.com)