

# VERTICADE™

Narrow design is perfect for tight configurations



12"W x 36"H  
Sheeting Panel

- Compact stacking, feet fold for transport and storage
- Quick set-up
  - spring loaded feet quickly release for placement
- Lies flat when hit
- Replaceable sheeting panels
  - recessed panels are removable, just clip on new panels
- Anti-skid pads on feet reduce movement in work zones
- 7 lb. feet - filled with silica sand
  - optional ballast boots snap on feet adding 20 lbs. each
- Molded-in light receptacle for "D" cell battery lights
- Available in white
- MASH Accepted, WZ-411, Meets MUTCD Standards



Lies flat when hit,  
reducing damage to unit and vehicle

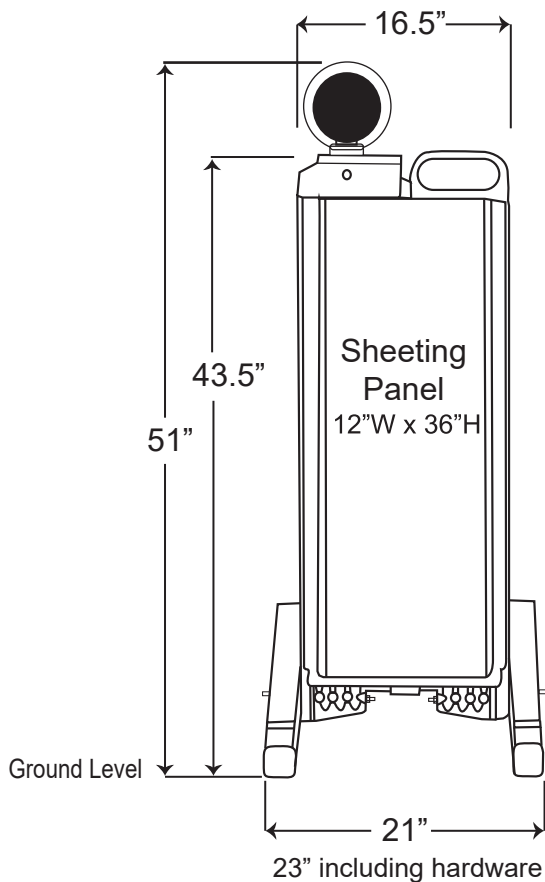


**PLASTICADE®**

[www.plasticade.com](http://www.plasticade.com)

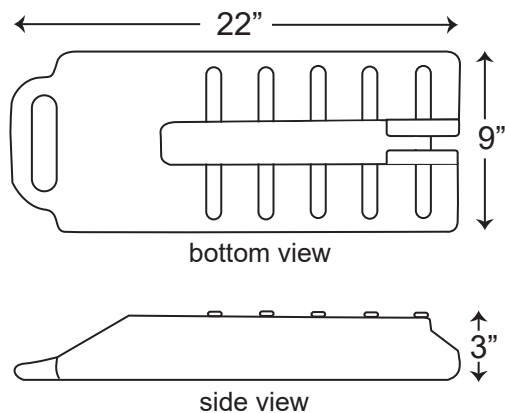
TF029 Rev. 3

# VERTICADE™



Specs	
Composition	High Density Polyethylene
Dimensions	43.5"H x 21"W x 3"D
Colors	White
Weight	27 lbs.
Retroreflective Sheeting	Available in all grades in white and orange

## Ballast Boot



Ballast Boots weigh 20 lbs. each when filled with sand.

Verticade with two boots - 67 lbs.



100 Howard Ave.  
Des Plaines, IL 60018  
phone (800) 772-0355  
info@plasticade.com  
[Plasticade.com](http://Plasticade.com)



MADE IN THE USA