

SAFETYCADE®

Collapsible plastic
barricade that's easy to
set up and store



- Stack more on your truck!
- units use 65% less space than drums
- Quick set-up
- spring loaded feet quickly release for placement
- Lies flat when hit
- Replaceable sheeting panels
- recessed panels are removable, just clip on new panels
- Anti-skid pads on feet reduce movement in work zones
- 7 lb. feet - filled with silica sand
- optional ballast boots snap on feet adding 20 lbs. each
- Molded-in light receptacle for "D" cell battery lights
- Available in white
- MASH Accepted, WZ-410, Meets MUTCD Standards



Use as a Direction Indicator Barricade

Use the Safetycade® in the taper, paired with the Verticade™ in tangent areas for improved flow and safety in work zones.



unit collapses when hit

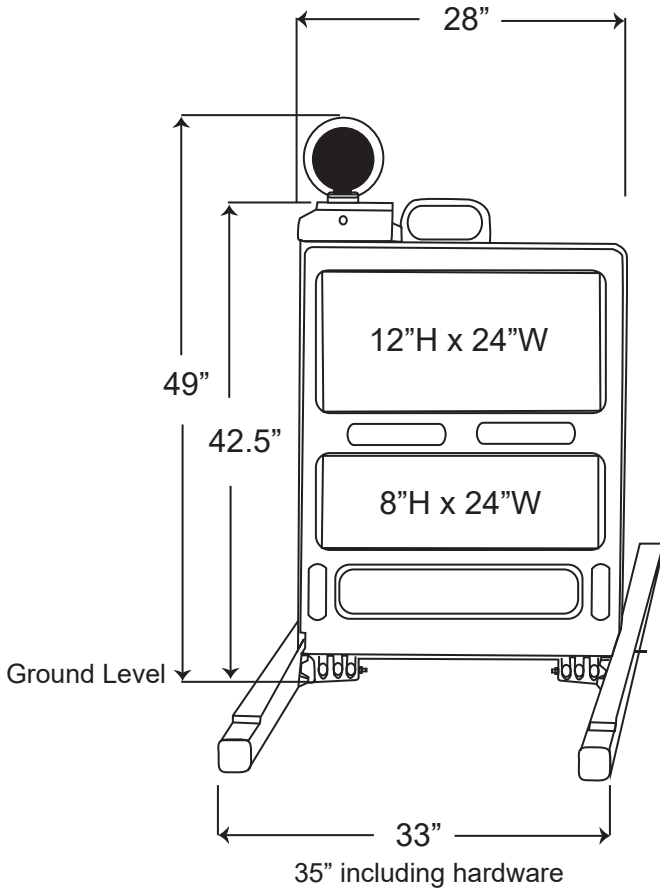


lies flat, reducing damage
to unit and vehicle

PLASTICADE®

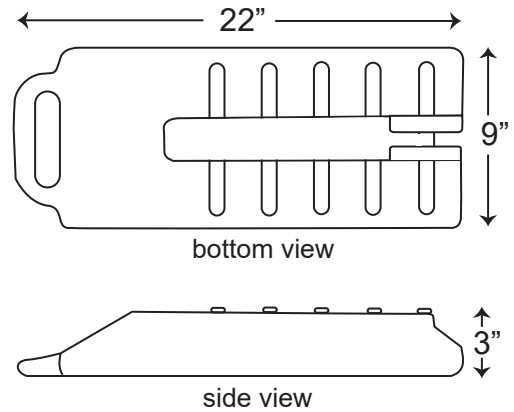
Plasticade.com

SAFETYCADE®



Specs	
Composition	High Density Polyethylene
Dimensions	42.5"H x 33"W x 3"D
Colors	White
Weight	29 lbs.
Retroreflective Sheeting	Available in all grades in white and orange

Ballast Boot



Ballast Boots weigh 20 lbs. each when filled with sand.

Barricade with two boots - 69 lbs.

Ballast Boot
Carry Handle



MADE IN THE USA



100 Howard Avenue
Des Plaines, IL 60018
phone (800) 772-0355
fax (847) 966-8074

Plasticade.com