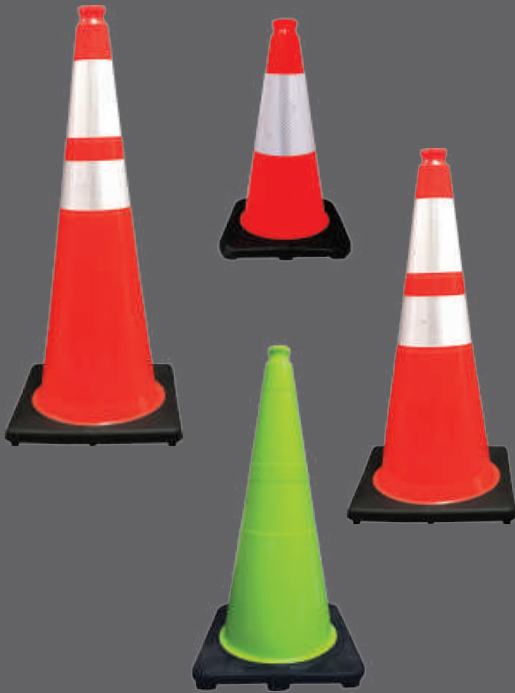


TRAFFIC CONES



- High visibility PVC injection molded cones
- Color is molded throughout
 - resists fading
 - provides high visibility protection
- One piece design - cone is permanently molded to black base
 - won't separate when hit by a vehicle
 - rubber base designed to grip the road
- Handgrip at top makes moving cones easy
- Recessed collars protect sheeting from scratches
- Durable and reboundable
- Stable on the road, won't be blown over
- Stackable for storage, no sticking when removed
- Cone is available with or without high intensity white collars
 - 3M™ collars have excellent wide angle retroreflectivity
- Stenciling available
- MASH Accepted, Meets MUTCD Standards



Cone Bars Available

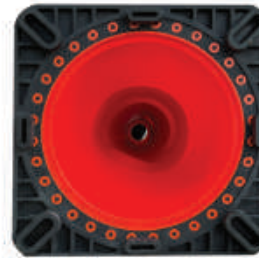
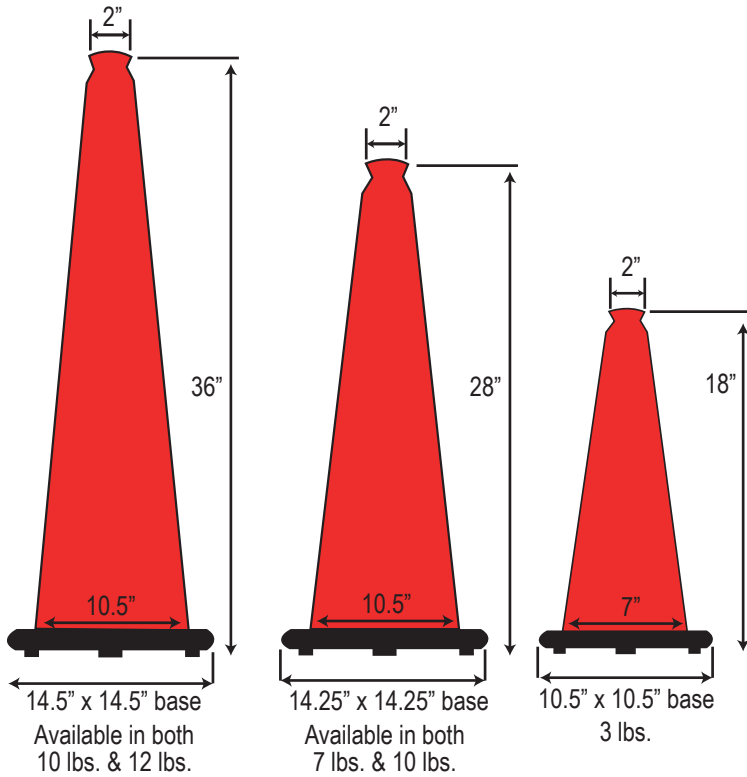
Cone Weight
7 lbs.

Stenciling Available

PLASTICADE®

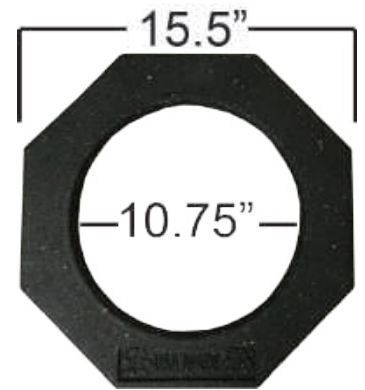
Plasticade.com

TRAFFIC CONES



Bottom of Cone

Specs	
Cone & Base Composition	PVC polyvinyl chloride
Color	Fluorescent Orange
Retroreflective Sheeting	High Intensity White Collars 4" and 6"



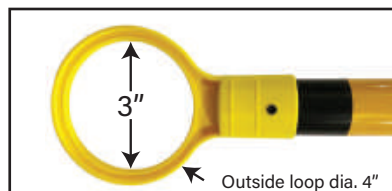
Recycled Rubber Cone Weight
7 lbs.

TELESCOPING CONE BARS

- Two sizes
- Expands from 4' to 7', 1 lb.
 - available in reflective orange on white and reflective yellow on black
- Expands from 5.5' to 10', 2 lbs.
 - available in reflective orange on white
- Quick installation to provide high visibility barrier
- Portable, versatile, and lightweight



Twist to lock desired length



PLASTICADE®

100 Howard Avenue
Des Plaines, IL 60018
phone (800) 772-0355
info@plasticade.com

Plasticade.com