

# MEDIUM HEIGHT SPRINGLESS SIGN STAND FOR ROLL-UP SIGNS

**MASH  
APPROVED**



Model SS410A



No Spring



- Holds roll-up signs 36" & 48"
- Telescoping mast
- Fixed length legs
  - lock in multiple positions to adjust to uneven ground
- Non-skid rubber feet
- Built-in three flag holder
- Replacement parts and assemblies available
- MASH Accepted for 48" roll-up signs, WZ-354
- Meets MUTCD Standards



Universal Bracket  
for Roll-Up Signs



Zinc Plated

**PLASTICADE®**

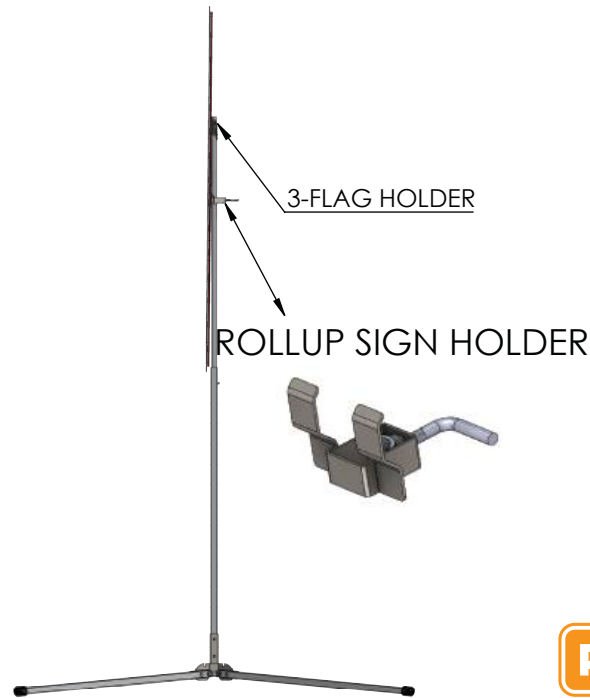
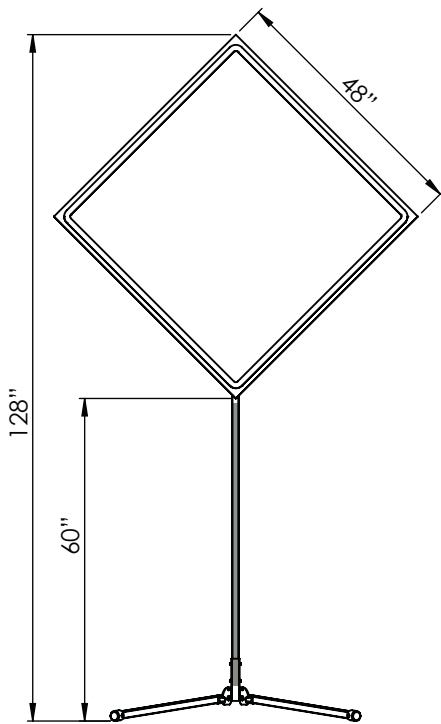
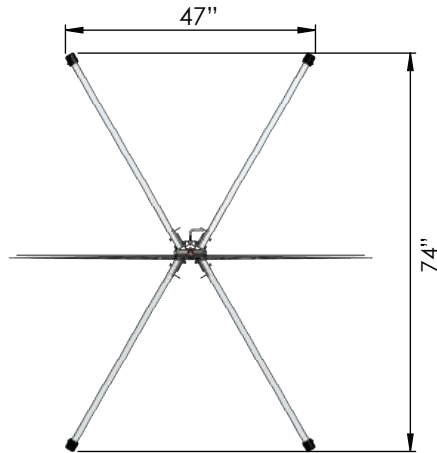
Plasticade.com

TF054 Rev. 6

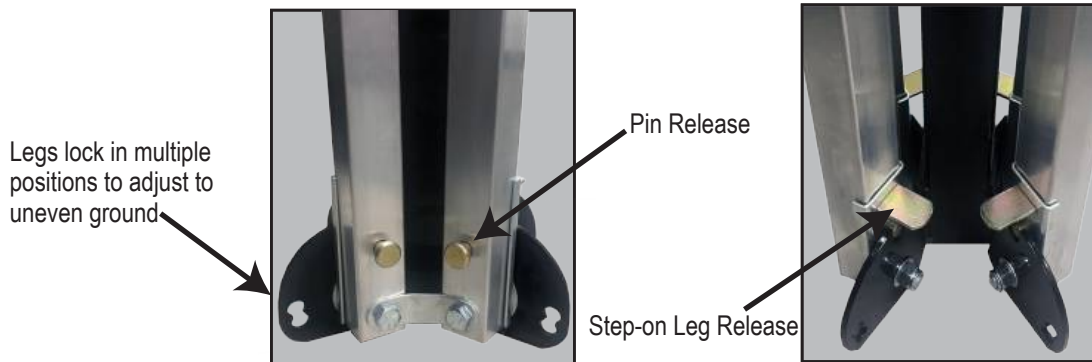
# MEDIUM HEIGHT SPRINGLESS SIGN STAND FOR ROLL-UP SIGNS

## Specs

Material Model	Aluminum SS410A
Sign Mounting Height	60" from ground
Top of 48" Sign	128" H maximum
Carton Size	7" x 7.5" x 58.5"
Size Open legs collapsed footprint	legs don't collapse
Size Open legs fully extended footprint	47" x 74"
Weight	19 lbs.
Included Bracket	Universal Roll-Up Sign Bracket



## LEG RELEASE SYSTEM



**PLASTICADE®**

100 Howard Avenue  
Des Plaines, IL 60018  
phone (800) 772-0355  
info@plasticade.com

[Plasticade.com](http://Plasticade.com)