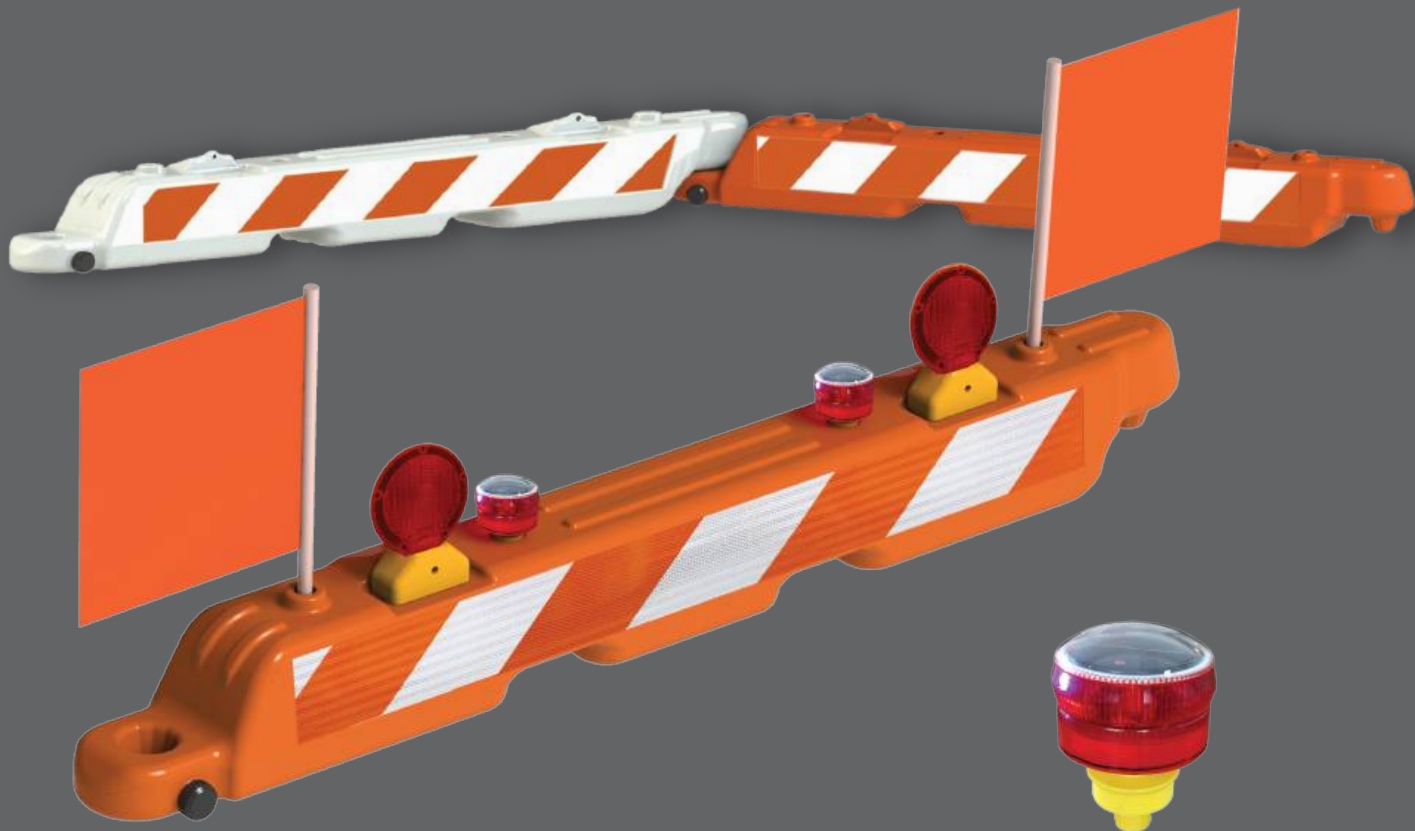


# LO-PRO™ AIRPORT BARRICADE

Low-profile interlocking barricade system used to close taxiways, runways, and delineate construction areas



- 8 ft. long and 10 in. high barricade, units interlock
- Durable construction, 25 lbs.
  - enhanced wall thickness on barricade bottom
  - molded reinforcing ribs add stiffness and strength
- Connectors are molded into the barricade, no pins to lose
  - allows interconnected units to pivot in multiple orientations between 90° and 180°
- 7° angled sidewall
  - facilitates visibility
  - accepts 70"L x 6"H continuous retroreflective sheeting
- Fill with up to 220 lbs. (26 gallons) of water
  - two fill holes and one drain hole
- Accepts two styles of lights
  - 360° round, screw on airport lights
  - standard barricade, bolt on lights
- Two flag mounts
- FOD (foreign object debris) Free
- Forklift access, recessed areas at bottom of barricade
- Stackable for transportation and storage
  - multiple stacking lugs keep units in place while stacked
- FAA Advisory Circular No. FAA AC150/5370-2G compliant

## 360° Red Solar LED Airport Lights

- Ambient light sensing,
  - turns on automatically in low light
  - photocell sensitivity - 100-250 lux
- 4 LED bulbs
  - brightness - 4.5 Candelas
- Flashes 50 to 55 times per minute
- Standard 2" straight pipe thread for easy installation
- Ni-Mh battery included
  - Sub C battery with flat top 1.2V 3400mAh high capacity

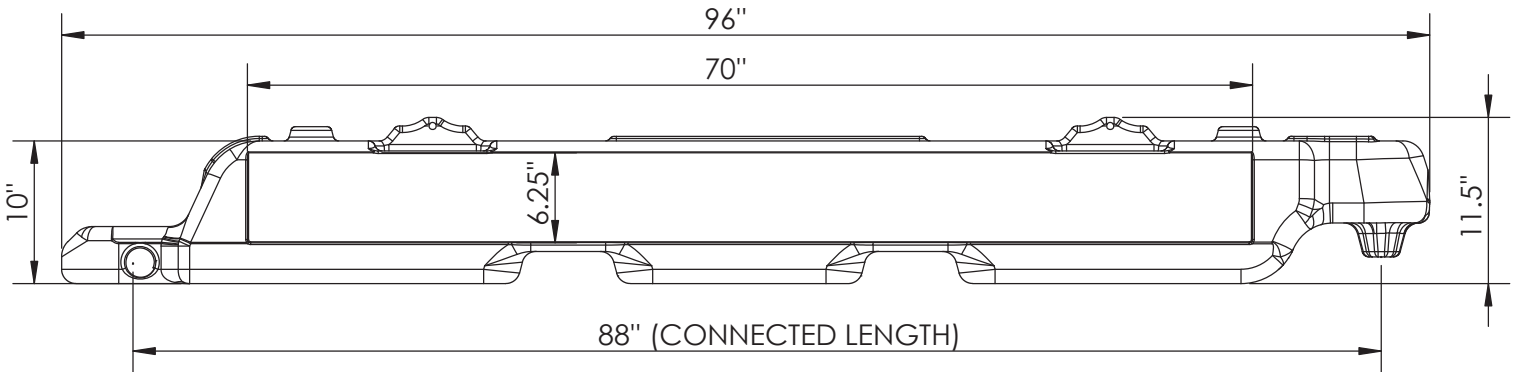
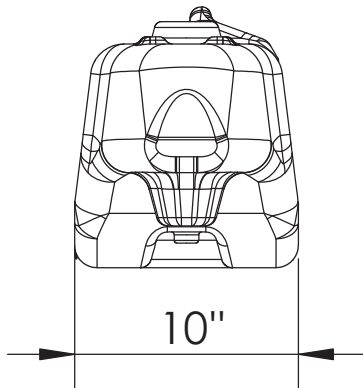
### **WARNING**

This product can expose you to nickel, which is a known to the State of California to cause cancer and birth defects or other reproductive harm.

For more information go to  
[www.P65Warnings.ca.gov](http://www.P65Warnings.ca.gov)

**PLASTICADE®**

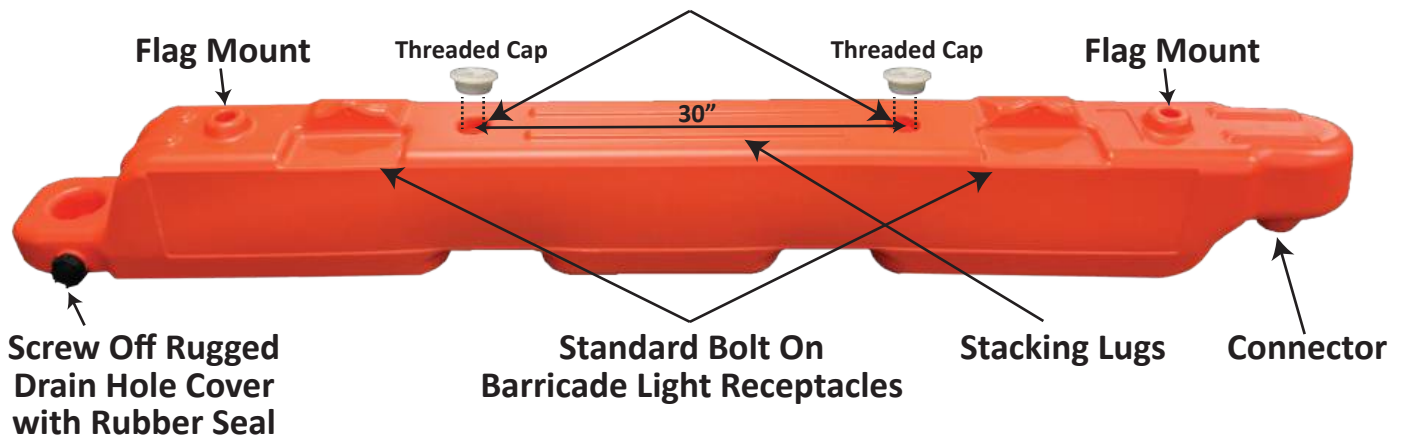
# LO-PRO™ AIRPORT BARRICADE



## Specs

Composition	High Density Polyethylene
Weight	25 lbs.
Color	Orange & White, other colors available with minimum purchase quantity
Retroreflective Sheeting	70"L x 6"H striped sheeting available in High Intensity Prismatic Grade and Diamond Grade
Lights	Each unit accepts two standard barricade lights (needs 4" bolt) and two 360° round airport lights
Flags	Each unit accepts two 3/4" diameter post flags

**Water Fill Holes with Screw On Caps  
Double as 360° Round Airport Light Receptacles**



**No Tools Needed!**

**PLASTICADE®**

100 Howard Avenue  
Des Plaines, IL 60018  
phone (800) 772-0355  
fax (847) 966-8074

[Plasticade.com](http://Plasticade.com)

**LoPro is  
MADE IN THE USA**