

CROSSCADE™ VERTICAL PANEL

Vertical panel with recycled rubber base. Great for crosswalk signage.



Crosscade™ 36
12" x 36" Panel

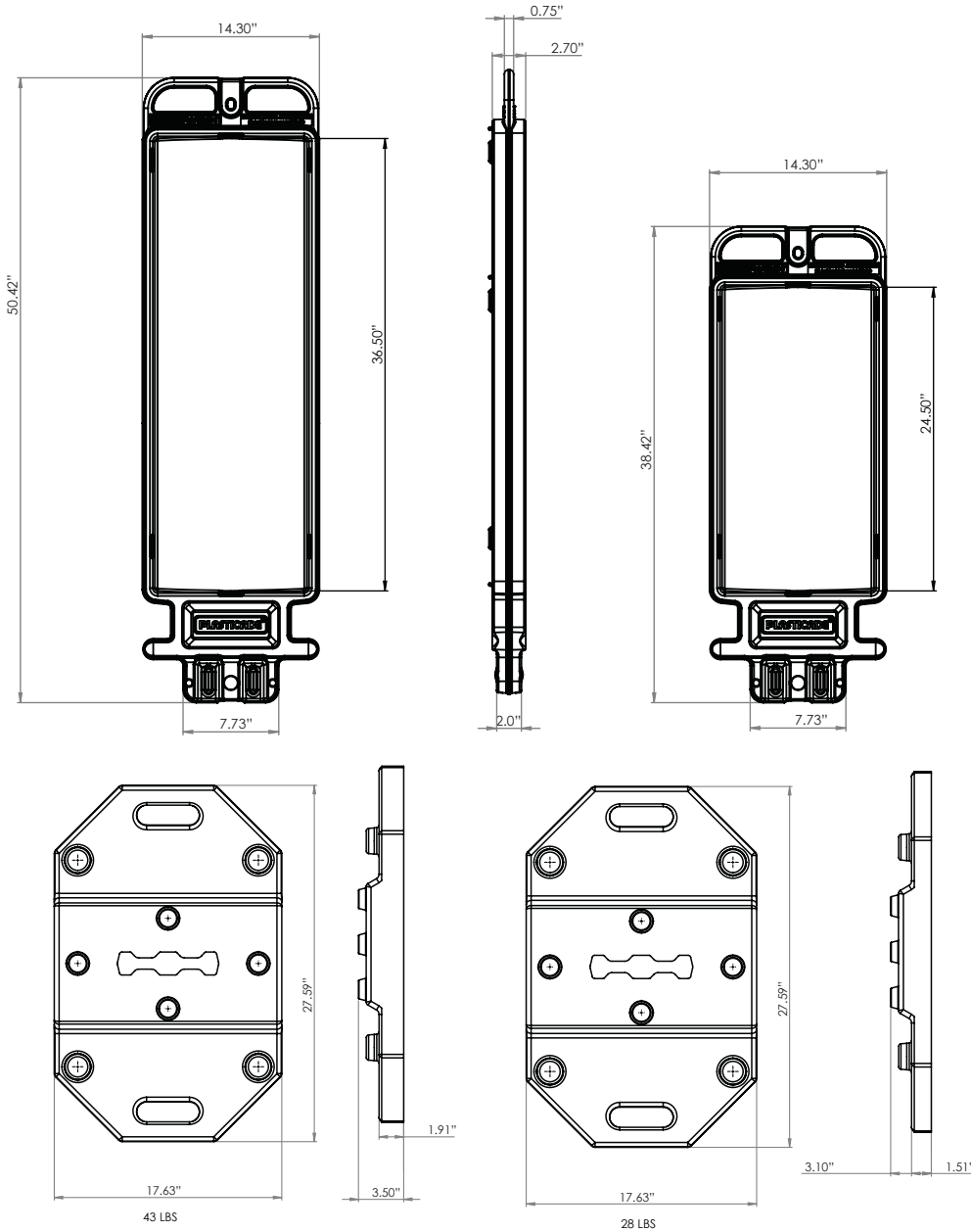
Crosscade™ 24
12" x 24" Panel

- Impact resistant plastic and recycled rubber base
- Press fit base, push panel down into base, using foot ledge, for a tight fit
- White 12"W vertical panel comes in two heights - 24" H or 36"H
- 28 lb. and 43 lb. recycled rubber bases
- Hole for attaching a barricade light (D Cell & 6 Volt) - ledge holds light upright
- Molded in handles, both panel and base - ergonomic, easy to use with gloves on
- Stacking lugs on panels - keeps stacked panels from sliding
- Purchase with or without crosswalk signs or retroreflective striped sheeting
- Signs are applied directly to panel face - no bolts needed
- MASH Acceptance, WZ-469 - 36" H panel, 43 lb. base, with barricade light
- Meets MUTCD Standards for pedestrian barricades



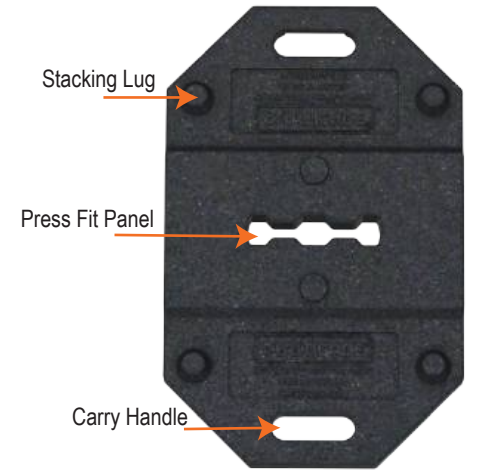
PLASTICADE®

CROSSCADE™



Specs

| | |
|-------------------|---------------------------|
| Panel Composition | High Density Polyethylene |
| Panel Dimensions | |
| Crosscade 36 | 50.42"H x 14.3"W x 2"D |
| Crosscade 24 | 38.42"H x 14.3"W x 2"D |
| Colors | White |
| Panel Weight | |
| Crosscade 36 | 8 lbs. |
| Crosscade 24 | 5.5 lbs. |
| Base Dimensions | |
| 43 lbs. | 27.59"L x 14.3"W x 3.5"H |
| 28 lbs. | 27.59"L x 14.3"W x 3.1"H |



Recycled Rubber Base
28 or 43 Lbs.

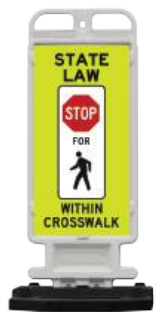
PLASTICADE®

100 Howard Avenue
Des Plaines, IL 60018
phone (800) 772-0355
Info@Plasticade.com

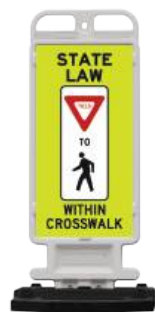
Plasticade.com

MADE IN THE USA

Signs are Diamond Grade fluorescent yellow/green.
High Intensity Prismatic white and red.



Legend #K1548



Legend #K1550



Legend #K1549



Legend #K9278



Legend #K9320



Legend #K9321