

# PLASTICADE<sup>®</sup>

## TYPE I & TYPE II BARRICADE

Maintenance Free  
All Plastic Barricade



- Durable barricade designed to withstand repeated impacts from vehicles
- Molded-in handles with mounting holes for attaching flashing lights
- Features “click lock” hinges for a positive interlock in the open position
- Barricade is molded hollow for internal ballasting with up to 10 lbs. of sand
- Sandbag bar (if additional weight is required)
- Available in white, yellow, and orange
- Stacking lugs keep stacked units from sliding
- MASH Accepted, WZ- 409
- Meets MUTCD Standards

Signs or names can be stenciled directly on the barricade or on the reflective sheeting

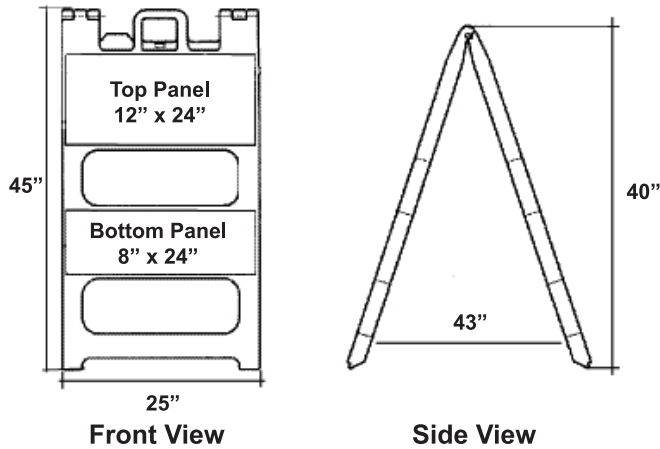


**PLASTICADE<sup>®</sup>**

[Plasticade.com](http://Plasticade.com)

# PLASTICADE®

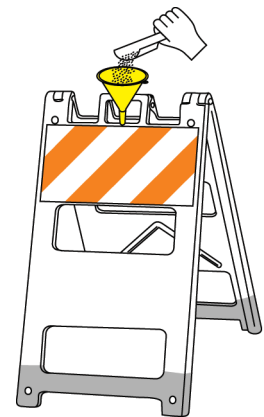
## TYPE I & TYPE II BARRICADE



Specs	
Composition	High Density Polyethylene
Dimensions	45\"/>



With the addition of a sign sleeve, the Plasticade barricade becomes a sign stand (NCHRP Certified)



Fill with up to 5 lbs. of sand per side.



**PLASTICADE®**



HDPE

100 Howard Ave.  
Des Plaines, IL 60018  
phone (800) 772-0355  
fax (847) 966-8074

[Plasticade.com](http://Plasticade.com)

MADE IN THE USA