

COMPACT SINGLE SPRING SIGN STANDS FOR ROLL-UP SIGNS

MASH APPROVED



Heavy Duty Single Spring



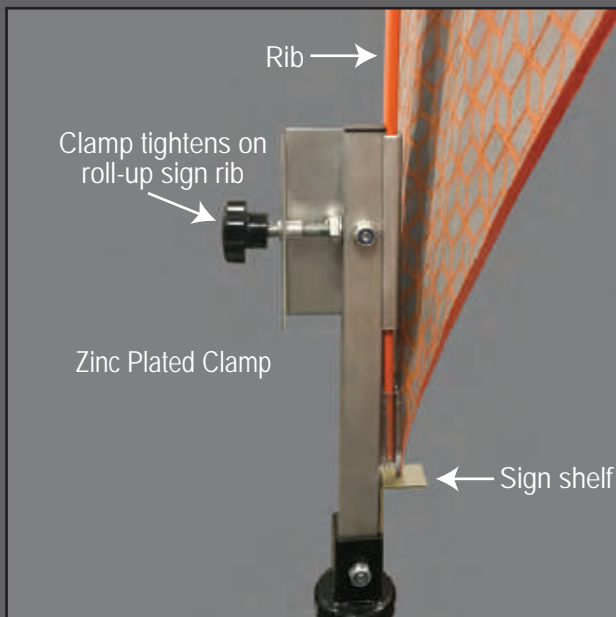
Model SS310



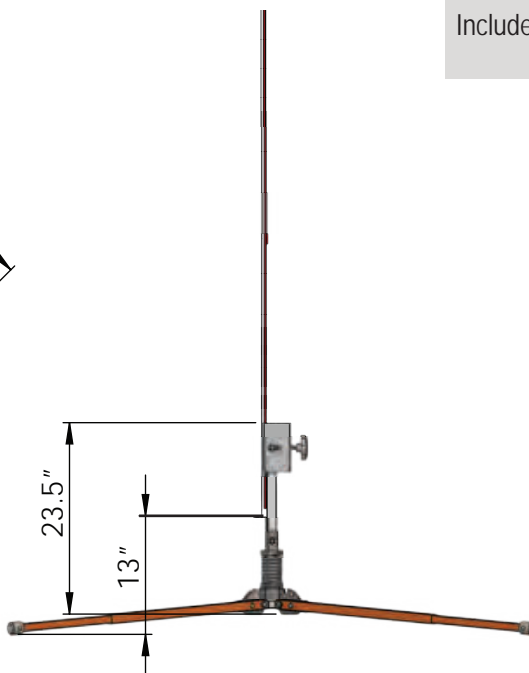
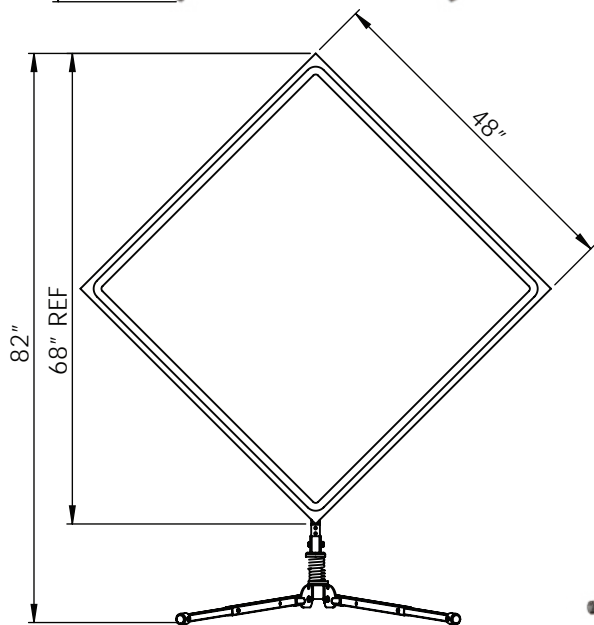
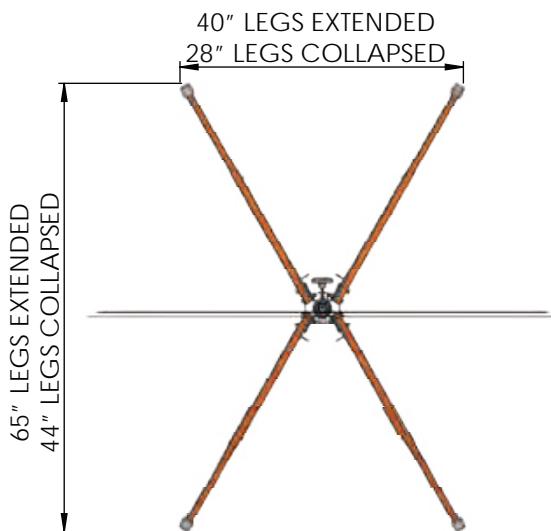
Model SS310A

- Holds roll-up signs 36" & 48"
 - universal compact sign clamp, zinc plated steel, grabs and tightens on roll-up rib
- Automotive grade steel spring
 - designed to perform in extreme weather conditions without fatiguing or breaking
 - E-coated for maximum rust and corrosion resistance
- Legs are extendable
 - lock in multiple positions to adjust to uneven ground
- Non-skid rubber feet
- Replacement parts and assemblies available
- MASH Accepted for 48" roll-up signs, WZ-352
- Meets MUTCD Standards

Universal Sign Clamp for Roll-Up Signs
(patent pending)



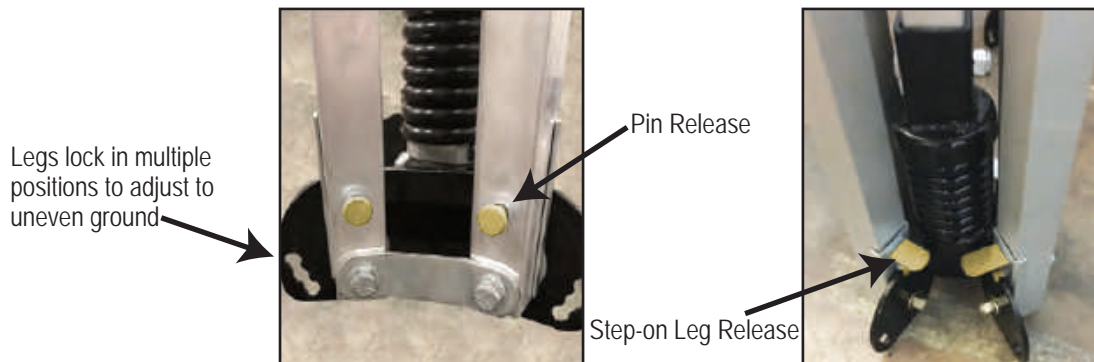
COMPACT SINGLE SPRING SIGN STANDS FOR ROLL-UP SIGNS



Specs

Material	Steel - Orange Powder Coated Aluminum
Model SS310	Steel - Orange Powder Coated Aluminum
Model SS310A	Aluminum
Sign Mounting Height	13" from ground
Top of 48" Sign	82" H maximum
Carton Size	7" x 7.5" x 25
Size Open legs collapsed footprint	28" x 44"
Size Open legs fully extended footprint	40" x 65"
Weight	
Model SS310	23 lbs.
Model SS310A	18 lbs.
Included Bracket	Universal Roll-Up Sign Clamp

LEG RELEASE SYSTEM



100 Howard Avenue
 Des Plaines, IL 60018
 phone (800) 772-0355
 fax (847) 966-8074
Plasticade.com