

# TRAFFIC CONES



- High visibility PVC injection molded cones
- Color is molded throughout
  - resists fading
  - provides high visibility protection
- One piece design - cone is permanently molded to black base
  - won't separate when hit by a vehicle
  - rubber base designed to grip the road
- Handgrip at top makes moving cones easy
- Recessed collars protect sheeting from scratches
- Durable and reboundable
- Stable on the road, won't be blown over
- Stackable for storage, no sticking when removed
- Cone is available with or without high intensity white collars
  - 3M™ collars have excellent wide angle retroreflectivity
- Stenciling available
- MASH Accepted, Meets MUTCD Standards

Cone Weights  
Available, 5 or 7 lbs.

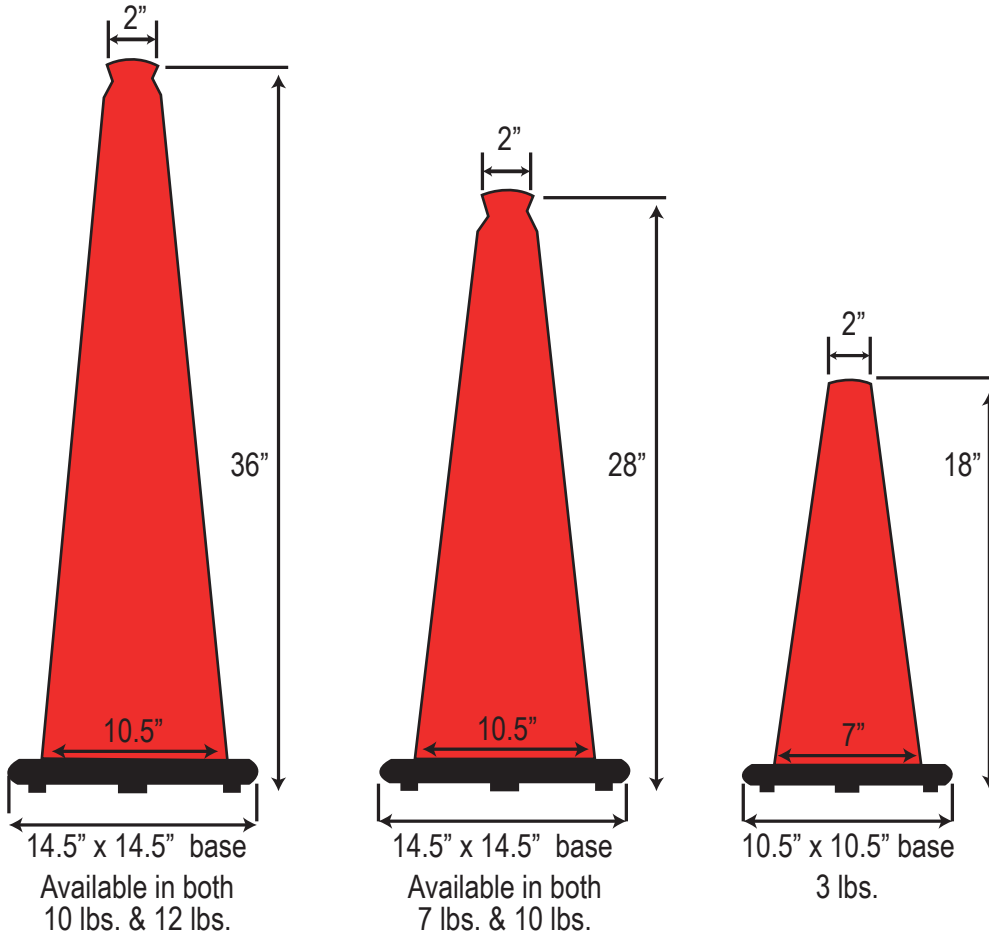
Stenciling Available

Cone Bars  
Available

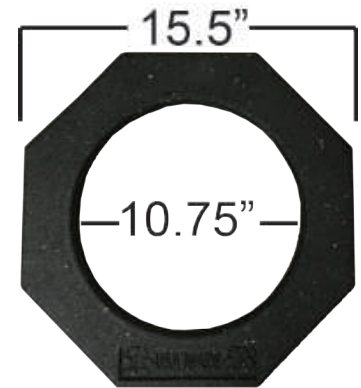
**PLASTICADE®**

[Plasticade.com](http://Plasticade.com)

# TRAFFIC CONES



Specs	
Cone & Base Composition	PVC - polyvinyl chloride
Color	Fluorescent Orange
Retroreflective Sheeting	High Intensity White Collars 4" and 6"



Recycled Rubber Cone Weight  
Available in 5 or 7 lbs.



Bottom of Cone

## Telescoping Cone Bars

- Expand from 4' to 7'
- Available in reflective orange on white and reflective yellow on black
- Quick installation to provide high visibility barrier
- Portable and versatile, lightweight, 2 lbs.



## PLASTICADE®

100 Howard Avenue  
Des Plaines, IL 60018  
phone (800) 772-0355  
fax (847) 966-8074  
[Plasticade.com](http://Plasticade.com)