

NAVICADE™

TRAFFIC CHANNELIZING CONES

Now Available
In Two Sizes
42" & 28"



- 42" (50" with handle) and 28" (35.5" with handle) channelizers
- Slim design
 - perfect for narrow roadways where space is an issue
- Very durable, designed to rebound after impact
- Oversized handle
 - easy to grab with gloved hand or light attached.
- Stackable with or without base for easy transport and storage
- 42" available with 4 bands of sheeting
 - choose 6" and/or 4" bands
- 28" available with 2 bands of sheeting
 - choose 6" and/or 4" bands
- Solid recycled rubber bases in three weights
 - 10 lbs., 16 lbs., and 30 lbs.
- Stenciling available
- Navicade 42" is MASH Accepted WZ-301, Meets MUTCD Standards
- Navicade 28 is MASH Accepted, Meets MUTCD Standards



Light can be used on the 42" Navicade only

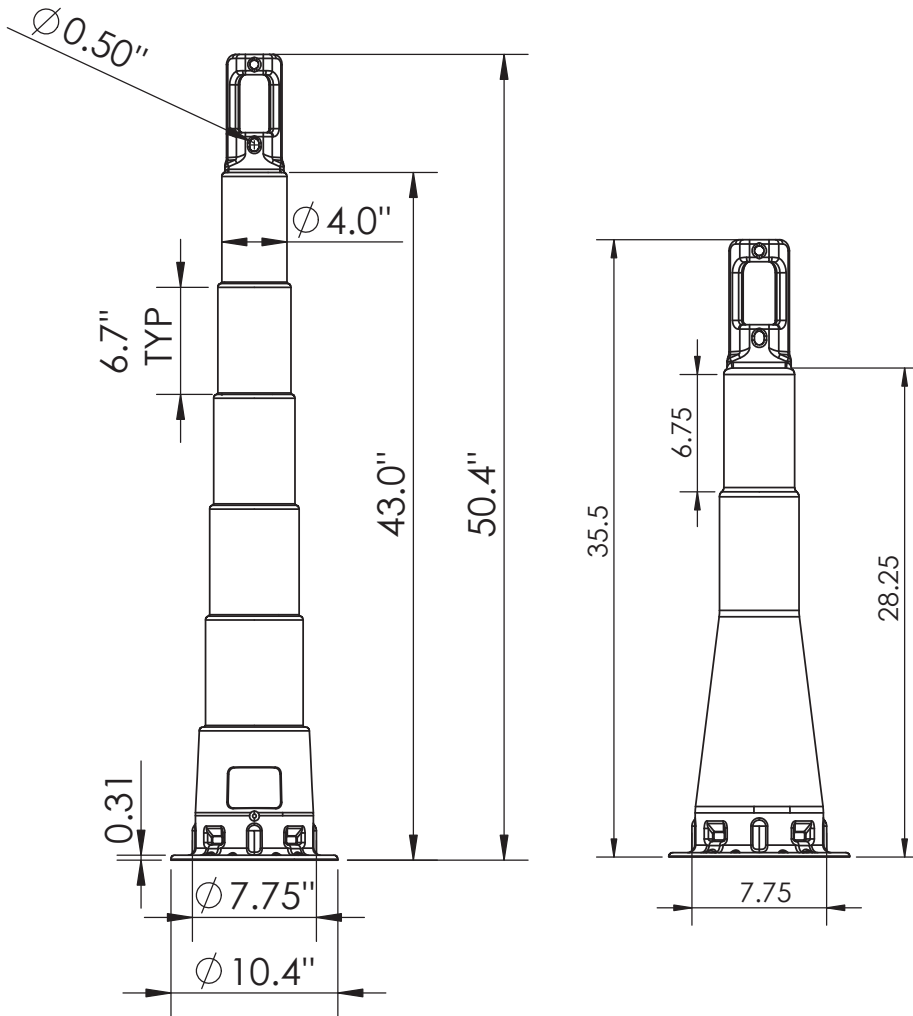
Oversized handle allows workers wearing gloves to easily set up the Navicade even with light attached.

PLASTICADE®

Plasticade.com

NAVICADE™

TRAFFIC CHANNELIZING CONES



Specs

Dimensions	
42" Navicade	50.4"H x 7.75"W
Navicade 28	35.5"H x 7.75"W
Color	Orange
Weight	
42" Navicade	3 lbs.
Navicade 28	2 lbs.
Reflective Sheeting	Available in all grades in white and orange, 4" and 6" bands

Bases

3 Sizes



10 lb. or
16 lb. base



30 lb. base

These snug fitting black rubber bases are made from recycled materials.

PLASTICADE®

100 Howard Avenue
Des Plaines, IL 60018
phone (800) 772-0355
fax (847) 966-8074

Plasticade.com



MADE IN THE USA