

CURB RAMPS

Two Styles Available

SAFEKERB RAMP

- Ramp adapts to curb heights from 2.3" to 6.3"
- Withstands loads up to 553 lbs.
- High visibility, anti-slip, textured surface
- Raised sides prevent vehicle run off
- Molded plastic will not rust
- Stacks for transport and storage
- Bolt to road and walkway surface for added stability



SAFEKERB SUPAGRIP

- Ramp adapts to curb heights from 2.5" to 6"
- Withstands loads up to 772 lbs.
- Flexible black edge reduces unwanted movement
- High visibility, anti-slip, textured surface
- Raised sides prevent vehicle run off
- Molded plastic will not rust
- Stacks compactly for transport and storage
- Can be bolted to road and walkway surface for added stability

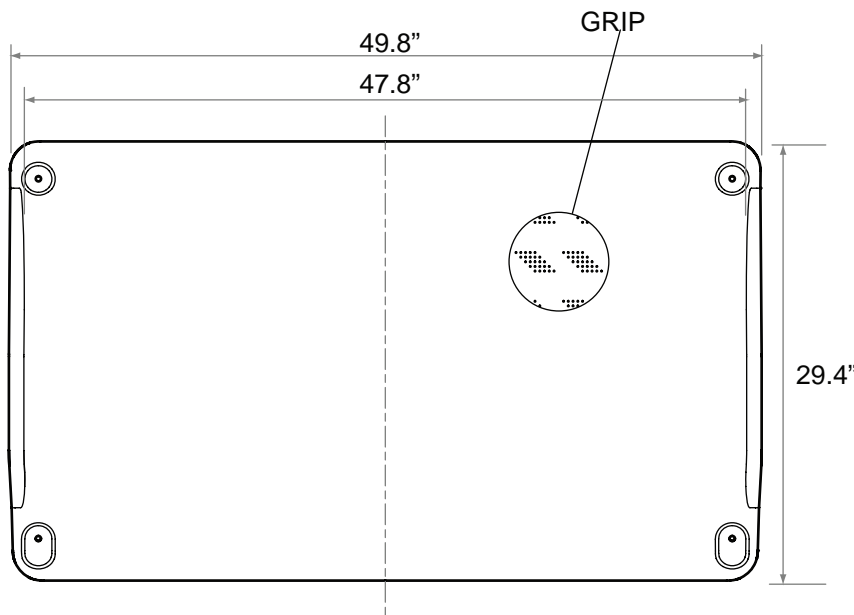


PLASTICADE®

Plasticade.com

CURB RAMPS

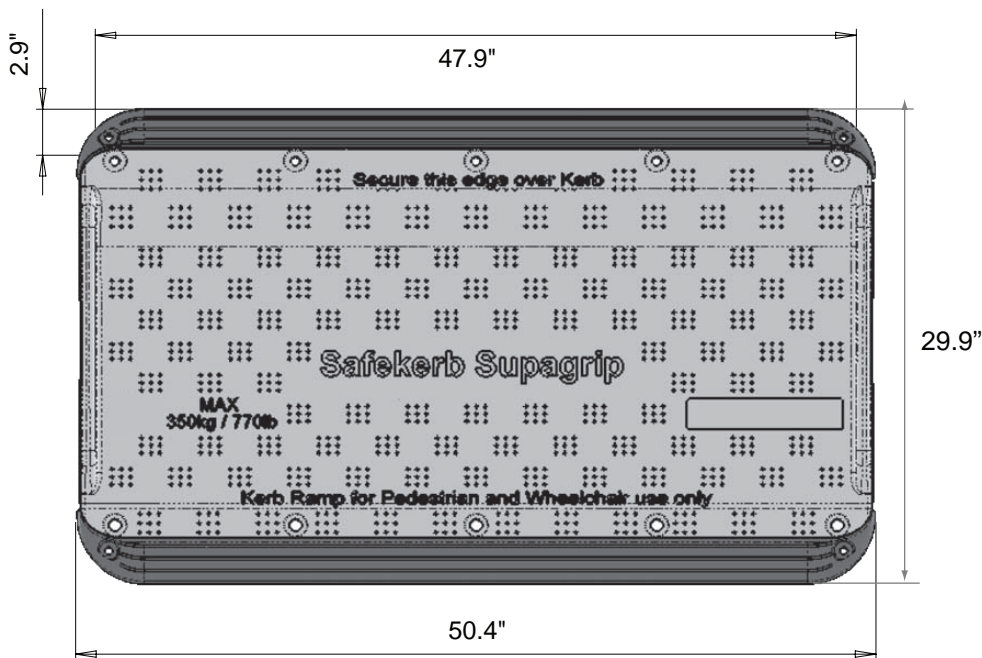
SAFEKERB RAMP



Specs

Composition	High density polyethylene
Dimensions	50"L x 29.5"W x 4.4"H
Weight	13 lbs.
Color	Yellow

SAFEKERB SUPAGRIP RAMP



Specs

Composition	High density polyethylene
Dimensions	50.2"L x 29.9"W
Weight	22 lbs.
Color	Yellow

PLASTICADE®

100 Howard Avenue
Des Plaines, IL 60018
phone (800) 772-0355
fax (847) 966-8074
Plasticade.com