

# PORTABLE POST SIGN STANDS FOR CURBSIDE & PARKING LOTS

## FILLABLE PLASTIC & RECYCLED RUBBER BASES



Plasticade.com



**ROCK-IT™**  
Rock It Back & Roll

**ROLL-A-POST™**

**RUBBER BASE**  
PORTABLE POST SIGN STANDS

Rock-It™ 18 Plastic Base	Rock-It™ 24 Plastic Base	Roll-A-Post™ 18 Plastic Base	Roll-A-Post™ 24 Plastic Base	Rubber Base - 30 lbs.	Rubber Base - 60 lbs.	Rubber Base - 90 lbs.
18"Wx12.8"H	24"Wx12.8"H	18"Wx12"H	24"Wx16.5"H	18.5"x 2.5"H	18.5"x 5"H	18.5"x 7.5"H
Post Colors:	Post Colors:	Post Colors:	Post Colors:	Post Colors:	Post Colors:	Post Colors:
Base Colors:	Base Colors:	Base Colors:	Base Colors:	Base Colors:	Base Colors:	Base Colors:
5.5 lbs.	11 lbs.	7 lbs.	10 lbs.	30 lbs.	60 lbs.	90 lbs.

All Made in the U.S.A.



### The Power Post™ Advantage

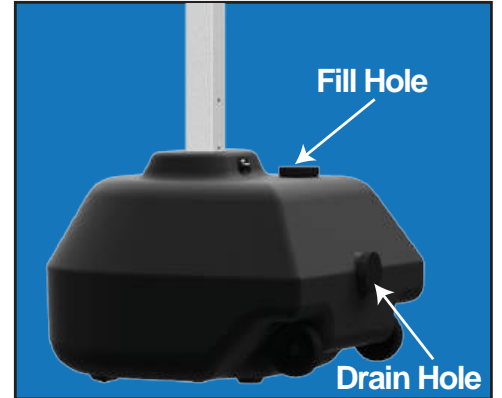
- 60" or 72" square post, available in white and black
- Reinforced plastic square post is stronger and more stable than round
  - 15% greater wind resistance than round posts
  - 10 times more surface area contact between sign and post
  - no sign twisting on post, no post rotating in base
  - impact resistant post has reinforcing center crossbars
- Lightweight and will never rust
- Pre-drilled holes for multiple sign sizes

# ROCK-IT™

Rock It Back & Roll

## Two Sizes: 18"W & 24"W

- Durable, thick walled plastic bases in two sizes, 18" W and 24" W
  - won't chip, crack, or crumble like concrete
  - available in black
  - custom colors with minimum order quantity
- Square plastic Power Post™ makes attaching signs easy
  - two lengths: 60"L and 72"L
  - two post colors: white and black
  - lightweight and impact resistant
  - no sign twisting which can occur with round poles
  - will never rust or need painting
  - pre-drilled holes for multiple sign sizes
  - vinyl post cap and sign mounting hardware included
- Rock it back and roll
  - recessed wheels make stands easy to move when weighted
  - sturdy plastic wheels come pre-installed
- Withstands strong winds without tipping over
- Conveniently placed large fill hole and drain hole
- Lightweight plastic reduces shipping costs
- Made in the U.S.A.



## Sign Sizing Guide

18: use with signs 24" x 24" or smaller  
recommendation based on ballast of 125 lbs.

24: use with signs 26"W x 38"H or smaller  
recommendation based on ballast of 200 lbs.

## Fill Base

### Rock-It 18 Options:

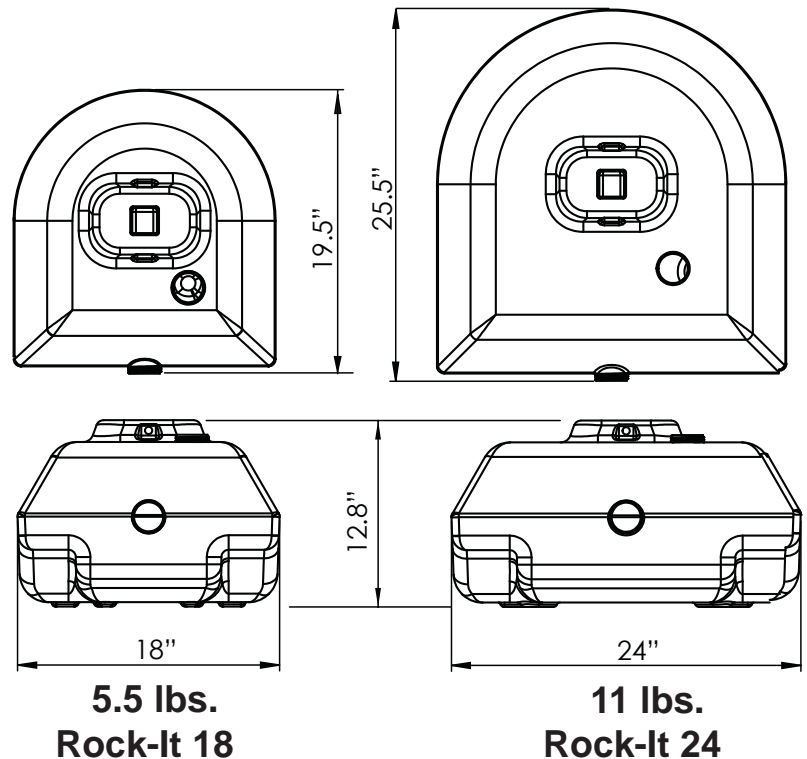
1. Dry Sand - holds up to 125 lbs.
  2. H2OLD Base Gel + 8 Gallons of Water
- Both options are good for freezing temperatures  
DO NOT FILL WITH WATER ONLY

*Recommend only filling up to 80 lbs. if planning to move after filling*

### Rock-It 24 Options:

1. Dry Sand - holds up to 224 lbs.
  2. H2OLD Base Gel + 14 Gallons of Water
- Both options are good for freezing temperatures  
DO NOT FILL WITH WATER ONLY

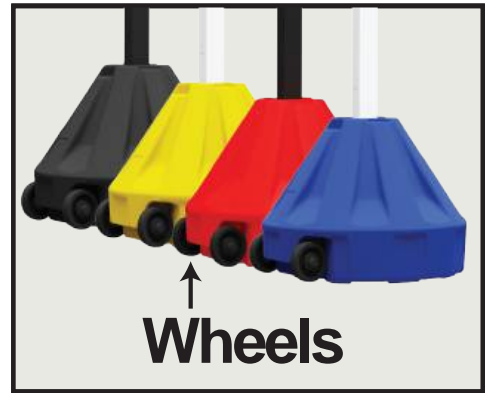
*Recommend only filling up to 80 lbs. if planning to move after filling*



# ROLL-A-POST™

## Two Sizes: 18"W & 24"W

- Durable, thick walled plastic bases
  - no rust, dents, or cracking
- Wheels for easy relocation
  - sturdy plastic wheels come pre-installed
- Square plastic Power Post™ makes attaching signs easy
  - two lengths: 60"L and 72"L
  - two post colors: white and black
  - lightweight and impact resistant
  - no sign twisting which can occur with round poles
  - will never rust or need painting
  - pre-drilled holes for multiple sign sizes
  - vinyl post cap and sign mounting hardware included
- Withstands strong winds without tipping over
- Large fill hole
- Lightweight plastic reduces shipping costs
- Made in the U.S.A.



## Available Colors

Roll-A-Post 18: black, yellow, red, and blue  
 Roll-A-Post 24: black and yellow

## Sign Sizing Guide

18: use with signs 24" x 24" or smaller  
 recommendation based on ballast of 80 lbs.  
 24: use with signs 26"W x 38"H or smaller  
 recommendation based on ballast of 150 lbs.

## Fill Base

### Roll-A-Post 18 Options:

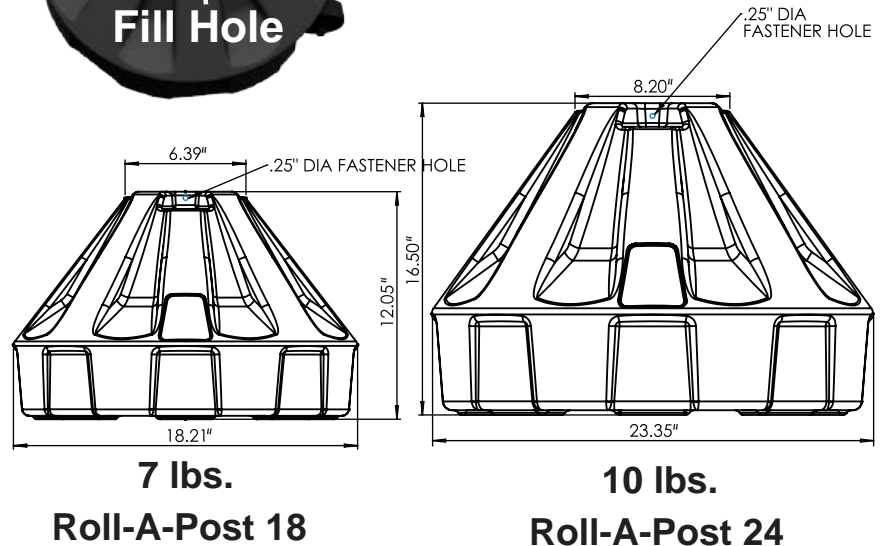
1. Dry Sand - 60-80 lbs.
2. Water - 6.5 gallons (50 lbs.)
3. Water + Anti-Freeze - 6.5 gallons total  
 - use 50/50 mixture for freezing temperatures
4. H2OLD Base Gel + 5 Gallons of Water

### Roll-A-Post 24 Options:

1. Dry Sand - 150-180 lbs.
2. Water - 15 gallons (120 lbs.)
3. Water + Anti-Freeze - 15 gallons total  
 - use 50/50 mixture for freezing temperatures
4. H2OLD Base Gel + 12 Gallons of Water  
 - good for freezing temperatures

*Recommend only filling up to 80 lbs. if planning to move after filling*

## Fill With Water!





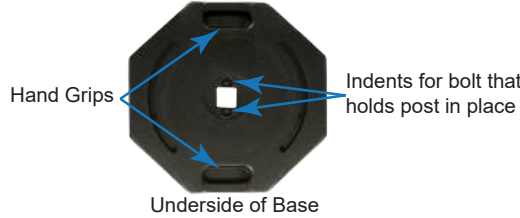
# Rubber Base Portable Sign Post

## Three Sizes: 30, 60, & 90 lbs.

- Durable, thick, recycled rubber
- Won't chip, crack, or crumble
  - resistant to weather, oil, salt, moisture
  - UV light and temperature resistant
- Molded-in Hand-grips
- Optional wheels make signs easy to move
  - polyurethane lined wheels
  - durable and quiet
  - zinc plated hardware
- Square plastic post eliminates sign twisting
  - available in white and black
- Vinyl post cap and hardware for attaching a sign included
- Stack 30 and 60 lb. bases for 90 lbs.
- Made in the U.S.A.



**Rubber Base  
Optional Wheels**  
comes with two double wheel  
assemblies installed

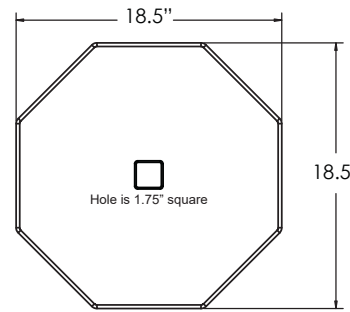


## Perforated Steel Post Option Available

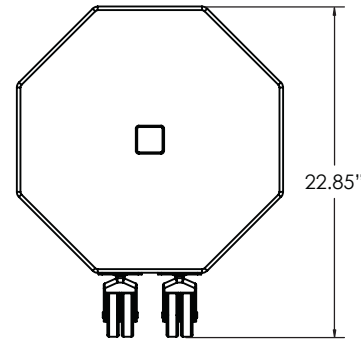
- 63"L steel square tube post, galvanized (1.75" W)
- Recommended for 60 lb. and 90 lb. rubber bases only

## Sign Sizing Guide

- 30 lb. base: use with signs 12"W x 18"H or smaller
- 60 lb. base: use with signs 24" x 24" or smaller
- 90 lb. base: use with signs larger than 24" x 24"



30 lb. base is 2.5"H  
60 lb. base is 5"H  
90 lb. base (bases stacked) 7.5"H



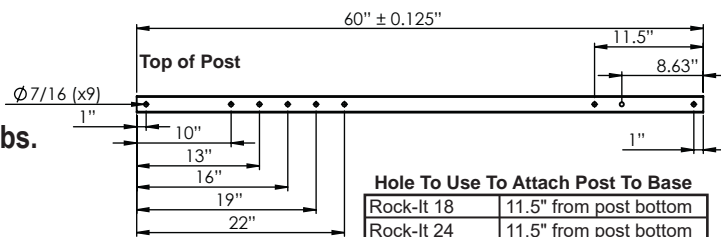
3" Diameter Wheels

## Square Plastic Post

### Two Post Lengths: 60" and 72"

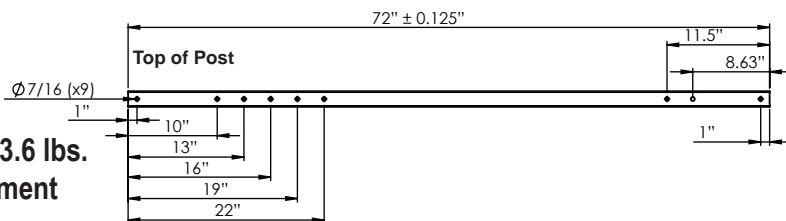
1.75"W

60"L Post, 3.25 lbs.  
Hole Placement



1.75"W

72"L Post, 3.6 lbs.  
Hole Placement



Post Size	60"	72"
	Installed Height	
Rock-It 18	60.6"H	* 72.6"H
Rock-It 24	60.6"H	72.6"H
Roll-A-Post 18	63.7"H	* 75.7"H
Roll-A-Post 24	65"H	77"H
Rubber: 30, 60, 90 lbs.	60"H	* 72"H

\* 72" post is not recommended  
for the Rock-It 18, Roll-A-Post 18 &  
30 lb. Rubber Base

**PLASTICADE®**

100 Howard Avenue  
Des Plaines, IL 60018  
(800) 772-0355

[Plasticade.com](http://Plasticade.com)