

CROSSCADE™



Vertical panel with recycled rubber base.
Great for crosswalk signage.

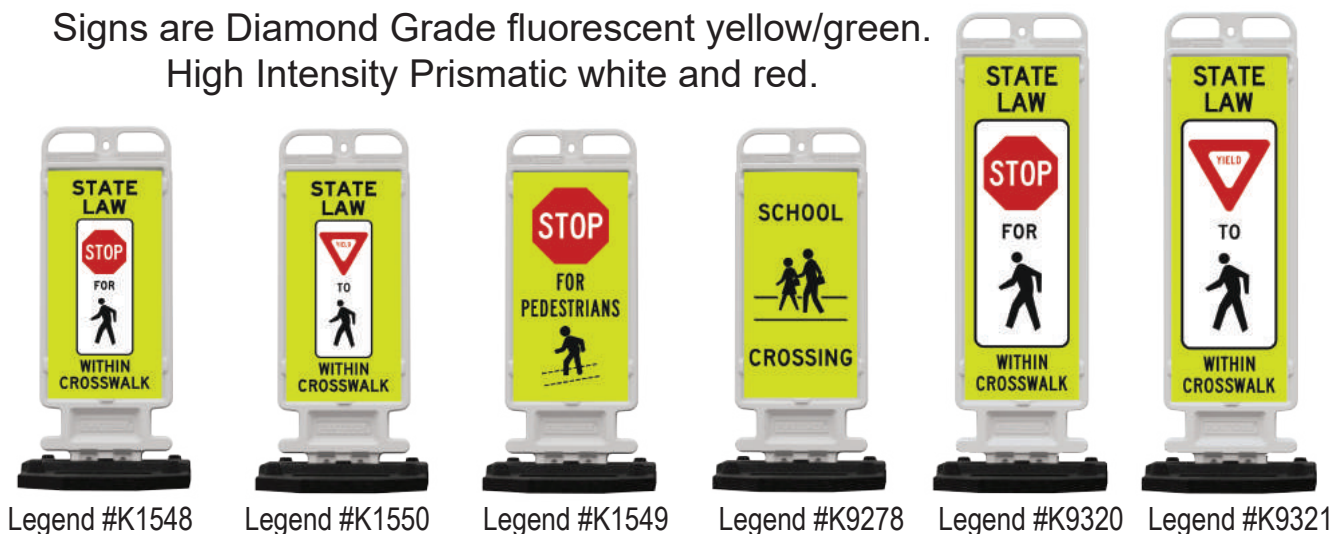


36" Panel

24" Panel

- Impact resistant plastic and recycled rubber base
- Press fit base, push panel down into base, using foot ledge, for a tight fit
- White 12"W vertical panel comes in two heights - 24" H or 36"H
- 28 lb. and 43 lb. bases available
- Hole for attaching a barricade light (D Cell & 6 Volt) - ledge holds light upright
- Molded in handles, both panel and base - ergonomic, easy to use with gloves on
- Stacking lugs on panels - keeps stacked panels from sliding
- Purchase with or without fluorescent yellow crosswalk signs
- Signs are applied directly to panel face - no bolts needed
- Meets MUTCD Standards for pedestrian barricades

Signs are Diamond Grade fluorescent yellow/green.
High Intensity Prismatic white and red.



Legend #K1548

Legend #K1550

Legend #K1549

Legend #K9278

Legend #K9320

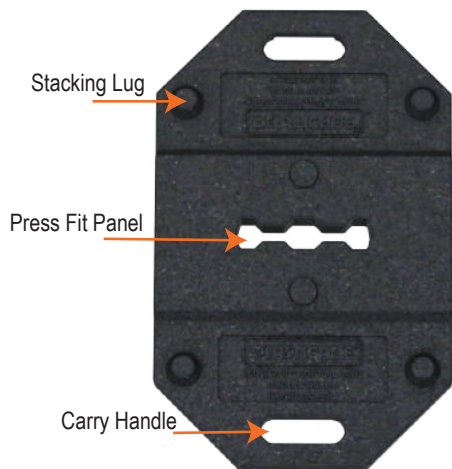
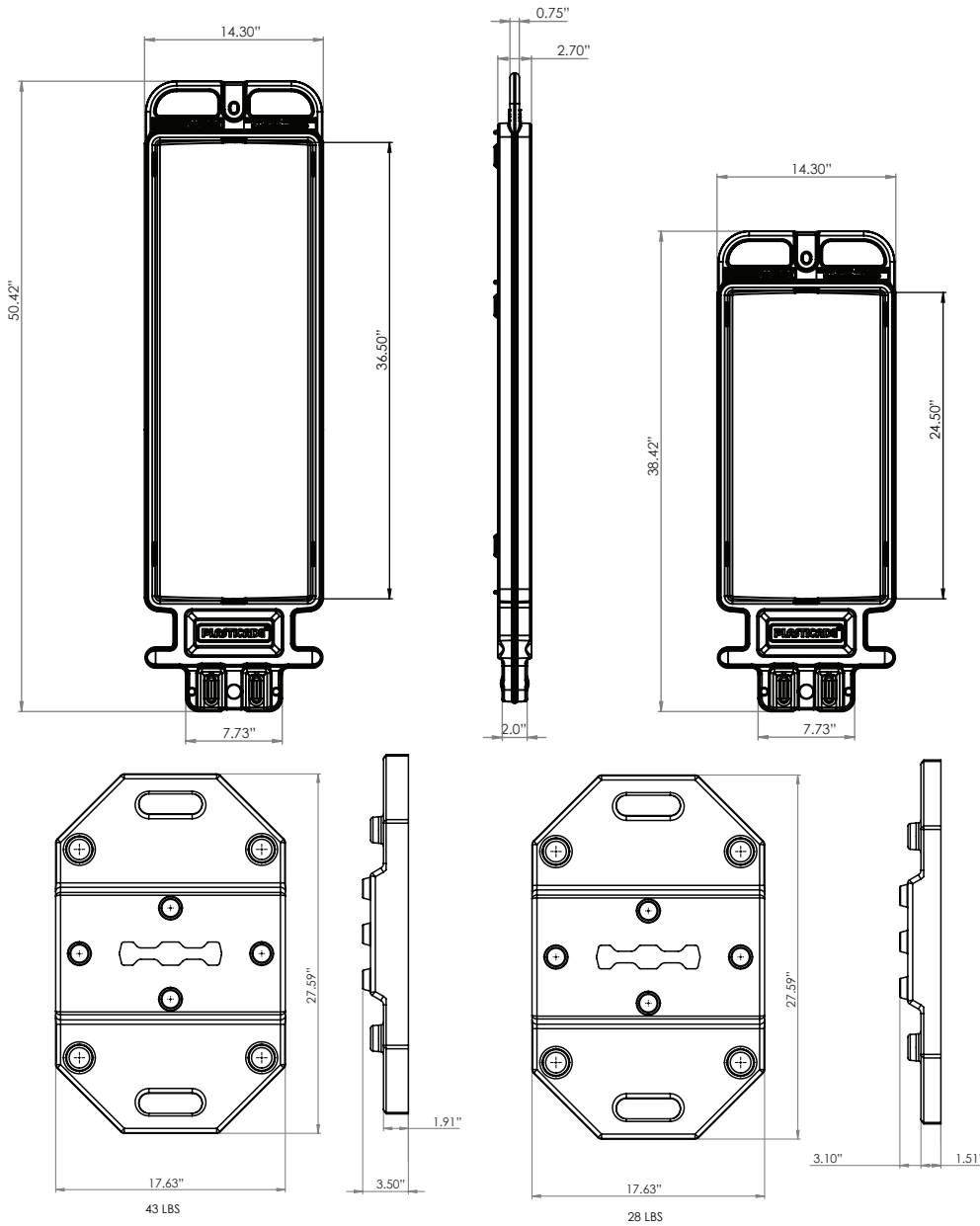
Legend #K9321



CROSSCADE™

Specs

Panel Composition	High Density Polyethylene
Panel Dimensions	
Crosscade 36	50.42"H x 14.3"W x 2"D
Crosscade 24	38.42"H x 14.3"W x 2"D
Colors	White
Panel Weight	
Crosscade 36	8 lbs.
Crosscade 24	5.5 lbs.
Base Dimensions	
43 lbs.	27.59"L x 14.3"W x 3.5"H
28 lbs.	27.59"L x 14.3"W x 3.1"H



Recycled Rubber Base
28 or 43 Lbs.

PLASTICADE®

100 Howard Avenue
Des Plaines, IL 60018
phone (800) 772-0355
Info@Plasticade.com

Plasticade.com

MADE IN THE USA