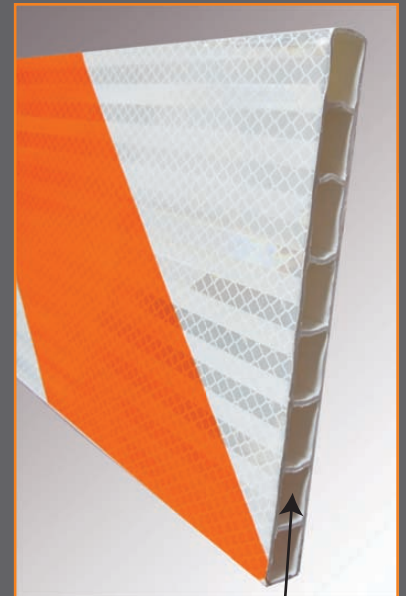
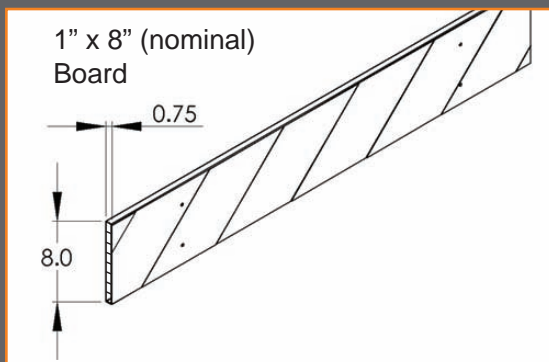


PLASTICADE® TYPE III BARRICADE BOARDS



Extruded Hollow Core Design
with Internal Walls for
Strength and Durability

- 1" x 8" plastic boards come in 4', 6', 8', 10', and 12' lengths
- High density polyethylene material resists fading, chipping, or splintering
- Flat surface displays retroreflective sheeting
 - complies with MUTCD requirements
- Hollow core extruded design
 - internal walls provide lightweight strength and durability
- Can be used in various generic Type III Barricade designs accepted by FHWA under NCHRP-350 (WZ-85)



PLASTICADE®

100 Howard Avenue
Des Plaines, IL 60018
phone (800) 772-0355
fax (847) 966-8074
Plasticade.com

MADE IN THE USA

TF021 Rev. 3