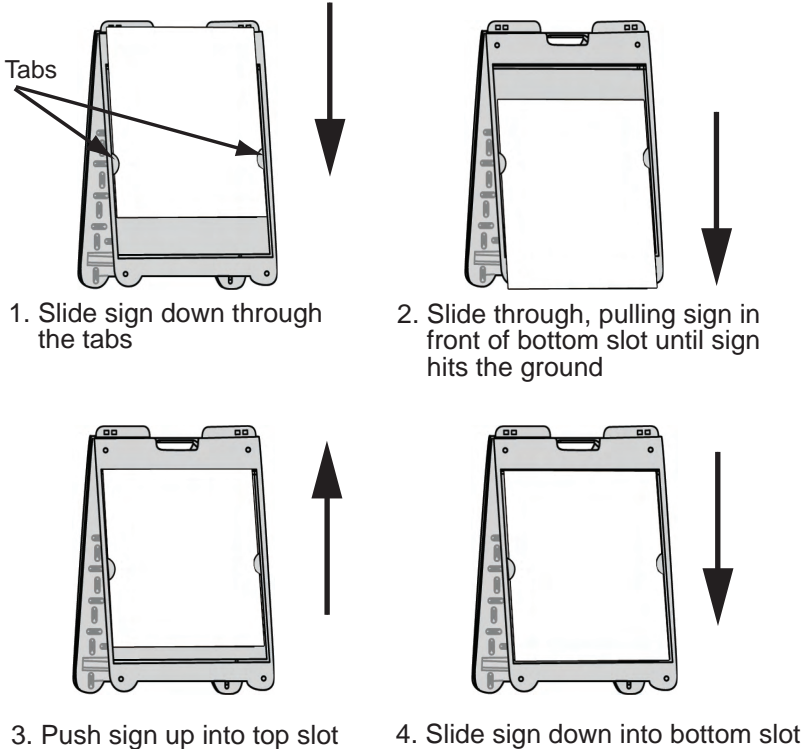


SimpoSign II[®]

Sign Insertion Instructions

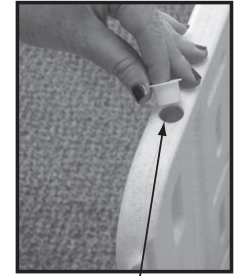


Sand Filling Instructions

The Simpo Sign II has two fill holes for sand, one on each half of the sign frame.

Remove plug from fill hole and fill the hole with dry sand, 3 lbs. of sand per hole maximum, for a total of 6 lbs. per sign frame is recommended.

Play sand is suggested for ease of filling.



Sand Fill Hole

Sign Rider Insertion Instructions

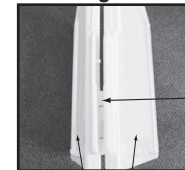
Stand the sign frame on the ground, spreading open the sign faces only half way. Place the Sign Rider in the hinge openings between the sign faces. Now, move the sign faces apart until fully extended. The hinges will "grab" the Sign Rider.

For a more stable/permanent rider installation, drill holes into the rider to match up with the pins on the grabber hinge. Velcro[®] dots can also be used.



hinges

View of Hinge from above



hinge opening

sign faces

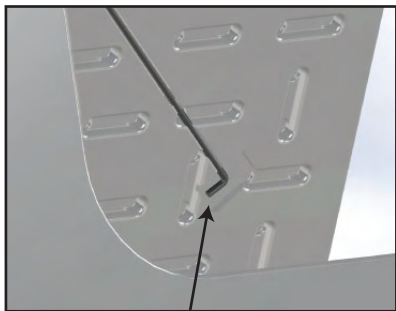


www.plasticade.com

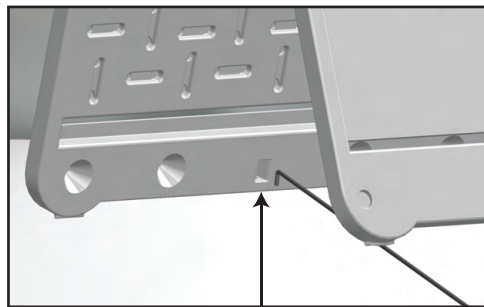
SimpoSign II[®]

Stabilizing Brace Instructions

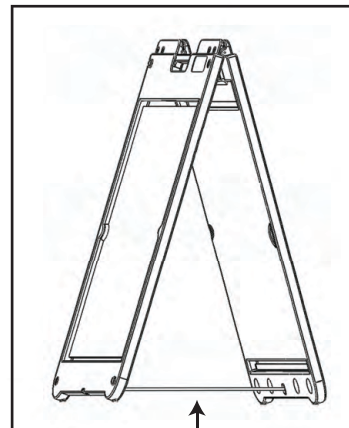
Prevents accidental or intentional spreading of sign faces too far. Can also be used for sandbagging. To store, just click into receptacle on back of sign frame.



Brace in storage
(back side)



Place brace in holes at bottom of
the sign frame to use



Brace in use