

WATER FILLED BARRICADE SYSTEM LONGITUDINAL CHANNELIZING DEVICE



- 60" L x 36" H channelizing device , fillable with water or sand
- Durable construction, impact resistant
- Conforms to any roadway design, can turn 90°
 - tongue and groove assembly
 - linked units secured with connector pin
 - quick assembly and breakdown
- Lightweight, 50 lbs. when empty
 - no heavy machinery needed for installation
- Stackable for transport and storage
 - 820 LFT/truck (164 units)
- Forklift access, recessed areas at bottom of barricade
 - can be moved while filled with water
- Fill with up to 72 gallons of water
 - every unit is leak tested
- Light pocket for standard barricade light, use 5" light bolt
- Accepts optional fence panels
 - 54"W fencing with 8'H - 3" diameter posts (covers 60")
- Area for applying retroreflective striped sheeting
- Standard in orange and white
 - custom colors available
- NCHRP-350 Accepted, Test Level 2, Meets MUTCD Standards

90°
Turns



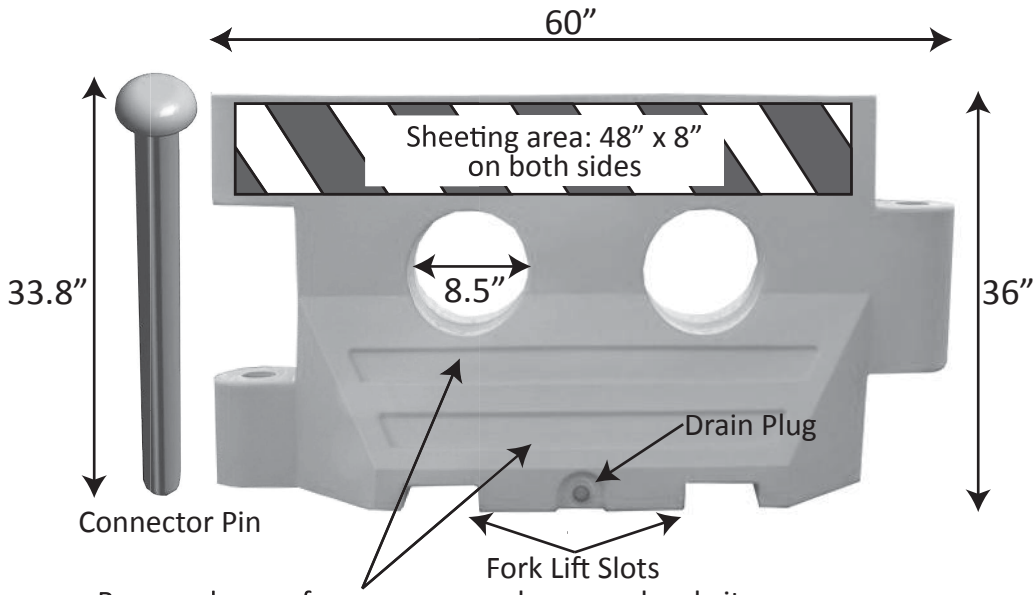
Uses:

Block off work zone areas from workers and public
Provides visual pathway for vehicles and pedestrians
Perimeter security
Crowd control

PLASTICADE®

TF041

WATER FILLED BARRICADE SYSTEM



Recessed areas for your name, phone, and website.
38" x 2.75" and 32" x 2.75"

Light Box Dimensions: 8" L x 4" W x 5" H

Specs

Composition	Medium density polyethylene
Dimensions	60" L x 24" W x 36" H Top Width: 7 5/8"
Weight	Empty - 50 lbs. Water filled - 683 lbs. Connector pin - 3 lbs.
Wall Thickness	.125 +/- 20%
Retroreflective Sheeting	Striped sheeting in engineer grade or high intensity prismatic grade
Color	Orange and white Custom colors available at no additional charge, 40 piece minimum



Stackable for storage and transport



Optional fencing comes with clamps, posts and hardware. Fence gates also available.

PLASTICADE®

7707 Austin Avenue
Skokie, IL 60077
phone (800) 772-0355
fax (847) 966-8074
Plasticade.com

MADE IN THE USA