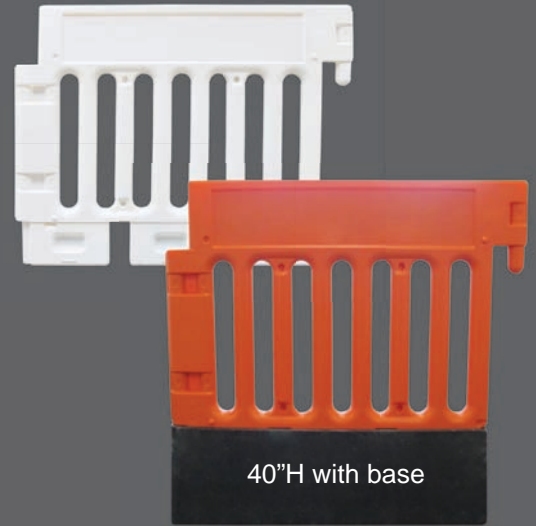


# STRONGWALL BARRICADE

ADA Compliant  
Pedestrian Barricade  
Longitudinal Channelizing Device

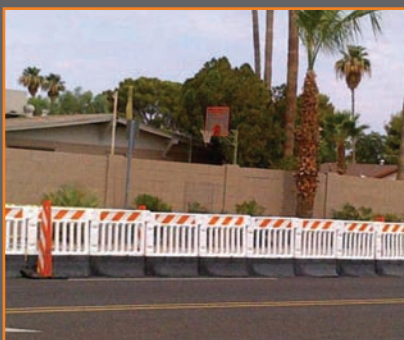
ADA  
COMPLIANT



Create a temporary pedestrian walkway

- ADA Compliant, no trip hazard for pedestrians
  - meets or exceeds ADA Guidelines and MUTCD Standards
- No sandbags needed!
- Linking sections are made up of two pieces that securely fit together
  - Top Wall - rugged polyethylene
  - Bottom Base - 43 lb. self weighted black base, with carry handle
- Modular system can be shaped to any layout
- Stable in windy conditions
- Quick and easy to install
- Anti-tamper linking system
  - difficult for unauthorized personnel to dismantle when linked
- Compact stacking lowers transportation costs
- Available in orange or white, with or without retroreflective sheeting
- NCHRP-350/MASH Accepted, Meets MUTCD Standards

43 lb. Base  
Eliminates  
Sandbags

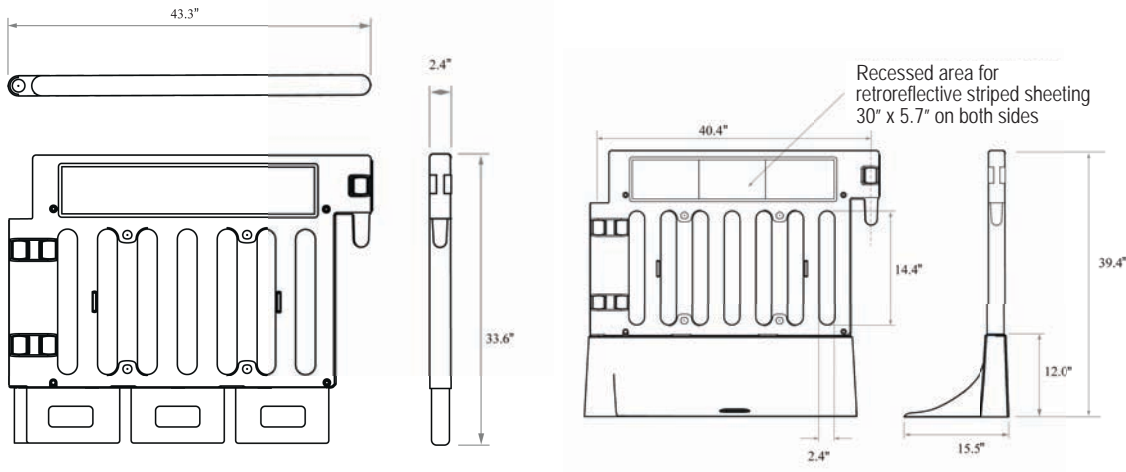


**PLASTICADE®**

Plasticade.com

TF026 Rev. 2

# STRONGWALL BARRICADE



## Specs

Composition	Polyethylene
Weight	8 lbs., 51 lbs. w/base
Colors	Orange, White
Sheeting Area	6" x 30" on each side
Retroreflective Sheeting	Striped sheeting in engineer grade or high intensity prismatic grade
Base Dimensions	40.4" L 15.5" W 12" H
Base Weight	43 lbs.



Longitudinal Channelizing Device  
Use on Roadways Instead of Traffic Barrels



**PLASTICADE®**  
 7707 Austin Avenue  
 Skokie, IL 60077  
 phone (800) 772-0355  
 fax (847) 966-8074  
[Plasticade.com](http://Plasticade.com)