

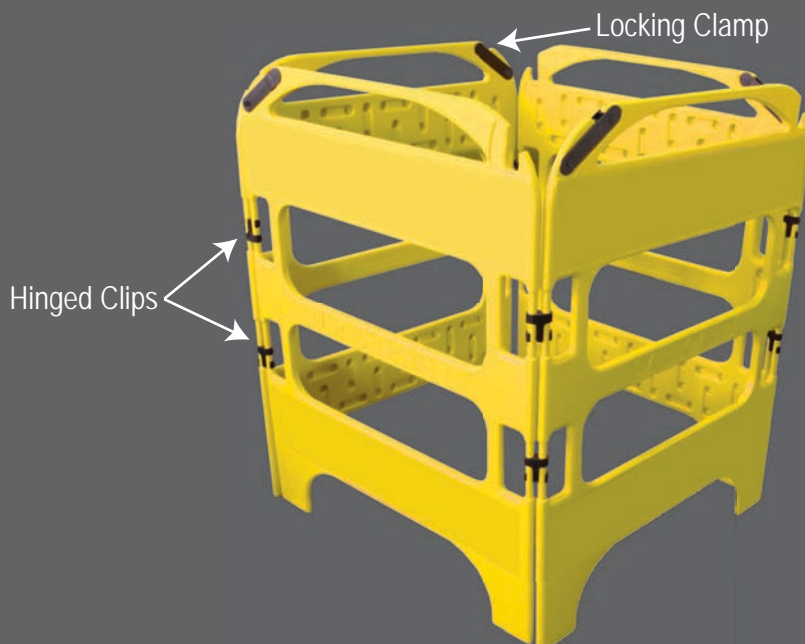
# SAFEGATE MANHOLE GUARD

Nonconductive  
(no metal used)

## Ideal for Utility Work



- Nonconductive (dielectric), no metal used
- Great for protecting any area requiring temporary restriction of access
- Hinged clips make it easy to configure sections into rectangles of various sizes
  - locking clamp to be used for straight sections
- Folds up easily for storage and sets up quickly
- Carry handles for transport
- Longer life than metal, replacement sections available
- Available in yellow

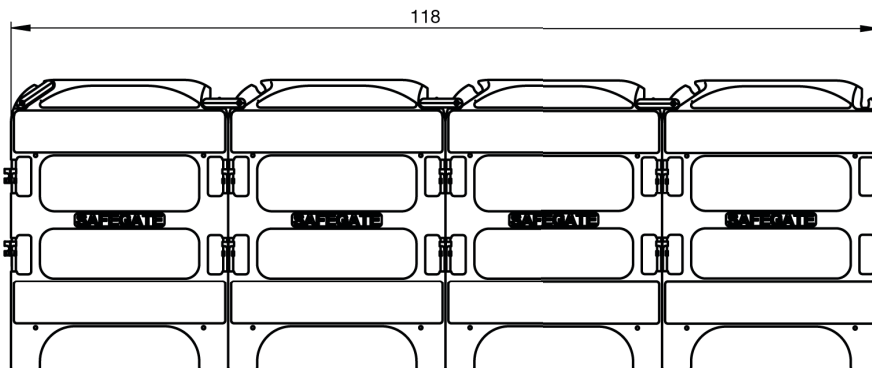
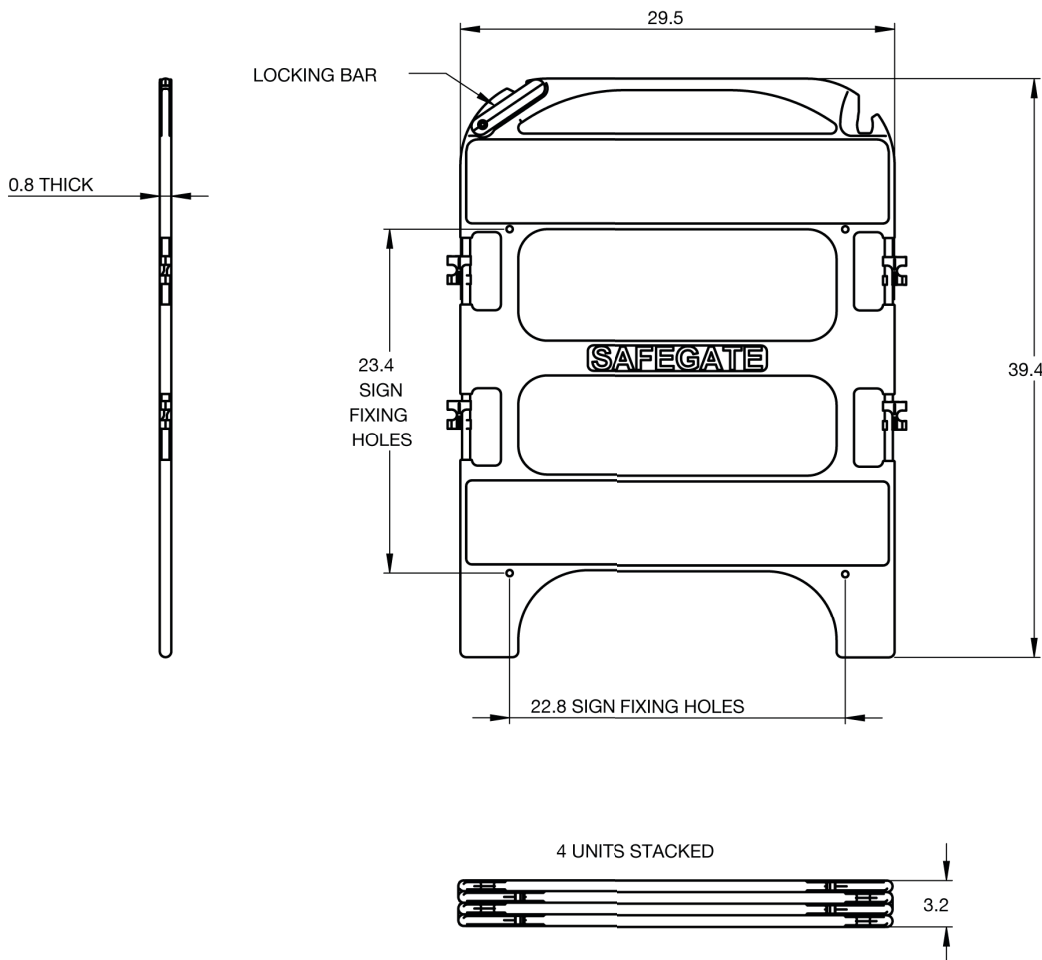


Specifications for single section  
Height - 39.4"  
Length - 29.5"  
Weight - 4.4 lbs.

**PLASTICADE®**

[www.plasticade.com](http://www.plasticade.com)

# SAFEGATE MANHOLE GUARD



## Specs

Composition	Polyethylene
Dimensions	39.4"H x 29.5"W
Color	Yellow
Weight	17.6 lbs.
Reflective Sheeting	Available in all grades in white and orange stripes.



Plastic hinged clips

**PLASTICADE®**

7700 N. Austin Avenue  
Skokie, IL 60077  
phone (800) 772-0355  
fax (847) 966-8074  
[www.plasticade.com](http://www.plasticade.com)