

# GEMSTONE™ VERTICAL PANEL

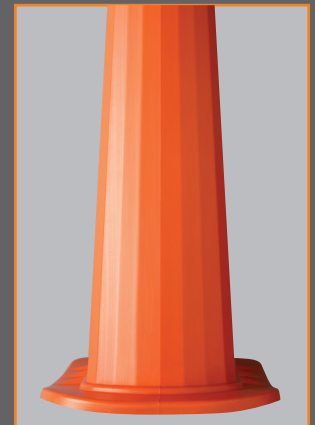
The most space efficient  
barricade on the street -  
in transit and in storage!



- Designed to withstand repeated impacts with little or no damage to vehicles or unit
- Oversized handle with comfort grip  
- can be picked up easily, even with light attached
- Stackable with or without base
- Recessed panel for reflective sheeting, 8" W x 36" H
- Gemstone sidewall provides strength & durability
- Flashing light mounting receptacle
- Available in orange and white
- Solid recycled rubber bases with carrying handles come in two sizes: 20 lbs. and 30 lbs.
- NCHRP-350 Accepted, Meets MUTCD Standards



High Visibility



Gemstone sidewall  
design adds strength  
& durability

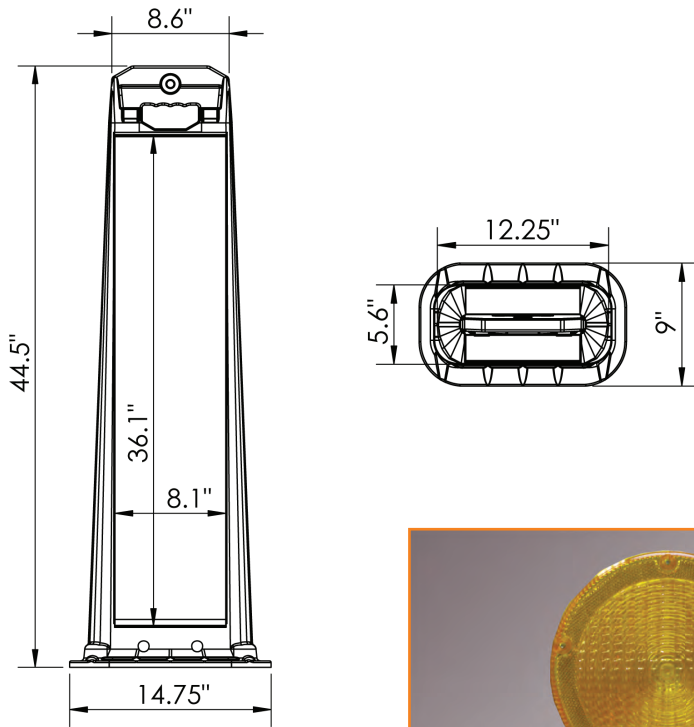
**PLASTICADE®**

[www.plasticade.com](http://www.plasticade.com)

# GEMSTONE<sup>TM</sup> VERTICAL PANEL

**Saves space in use, in transit and in storage!**

The most visible and space efficient barricades available, Gemstones take up half the space of traditional barricades, which means less storage space taken and a minimal footprint during use.



## Specs

Composition	Low Density Polyethylene
Dimensions	44.5"H x 14.75"W
Sheeting Area Dimension	8.1" x 36.1"
Color	Orange or White
Weight	4 lbs.
Reflective Sheeting	Available in all grades in these sizes: 8" x 24" 8" x 34" 8" x 36"

## Bases



**20 lb. base    30 lb. base**

Black rubber bases with carrying handles are made from recycled materials.

**PLASTICADE<sup>®</sup>**

7700 N. Austin Avenue  
Skokie, IL 60077  
phone (800) 772-0355  
fax (847) 966-8074

[www.plasticade.com](http://www.plasticade.com)

**MADE IN THE USA**