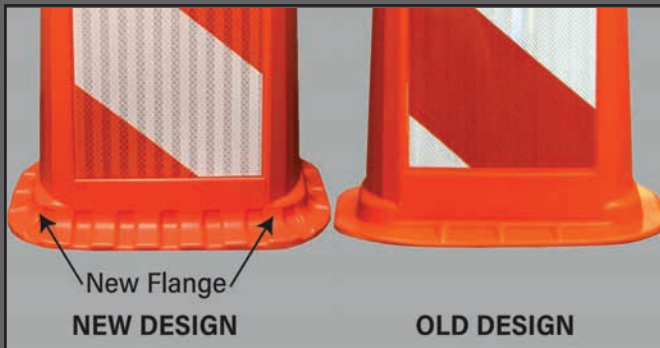


# GEMSTONE™ VERTICAL PANEL

The most space efficient  
barricade on the street -  
in transit and in storage!

## New Beefed Up Flange! Stands Up To Extreme Heat and Intensive Use



- New Thicker Flange!  
- more plastic to hold onto base
- Increased rigidity from larger ribbing
- Eliminates splitting and cracking

- Designed to withstand repeated impacts with little or no damage to vehicles or unit
- Oversized handle with comfort grip  
- can be picked up easily, even with light attached
- Stackable with or without base
- Recessed panel for reflective sheeting, 8" W x 36" H
- Gemstone sidewall provides strength & durability
- Flashing light mounting receptacle
- Available in orange and white
- Solid recycled rubber bases with carrying handles come in two sizes: 20 lbs. and 30 lbs.
- NCHRP-350 Accepted, Meets MUTCD Standards



High Visibility



Gemstone sidewall  
design adds strength  
& durability

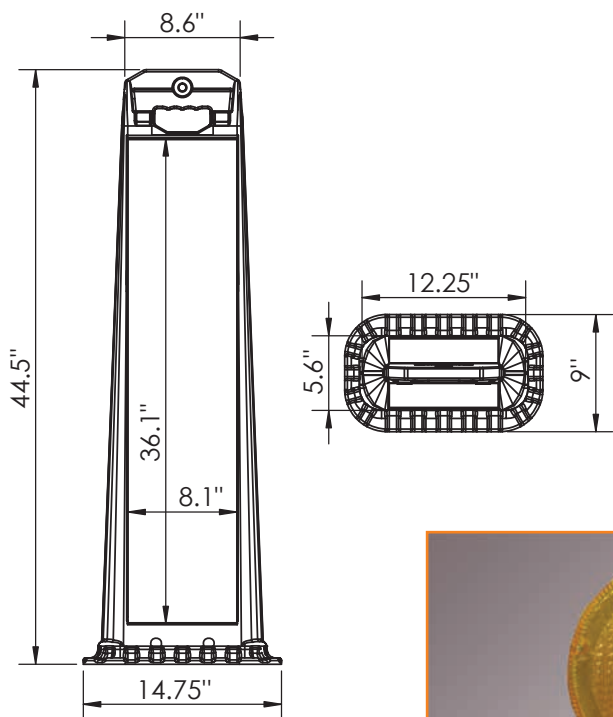
**PLASTICADE®**

Plasticade.com

# GEMSTONE™ VERTICAL PANEL

## Saves space in use, in transit and in storage!

The most visible and space efficient barricades available, Gemstones take up half the space of traditional barricades, which means less storage space taken and a minimal footprint during use.



## Specs

Composition	Low Density Polyethylene
Dimensions	44.5"H x 14.75"W
Sheeting Area Dimension	8.1" x 36.1"
Color	Orange or White
Weight	4 lbs.
Reflective Sheeting	Available in all grades in these sizes: 8" x 24" 8" x 34" 8" x 36"

## Bases



**20 lb. base**    **30 lb. base**

Black rubber bases with carrying handles are made from recycled tires

## PLASTICADE®

100 Howard Avenue  
Des Plaines, IL 60018  
phone (800) 772-0355  
fax (847) 966-8074

[Plasticade.com](http://Plasticade.com)

MADE IN THE USA